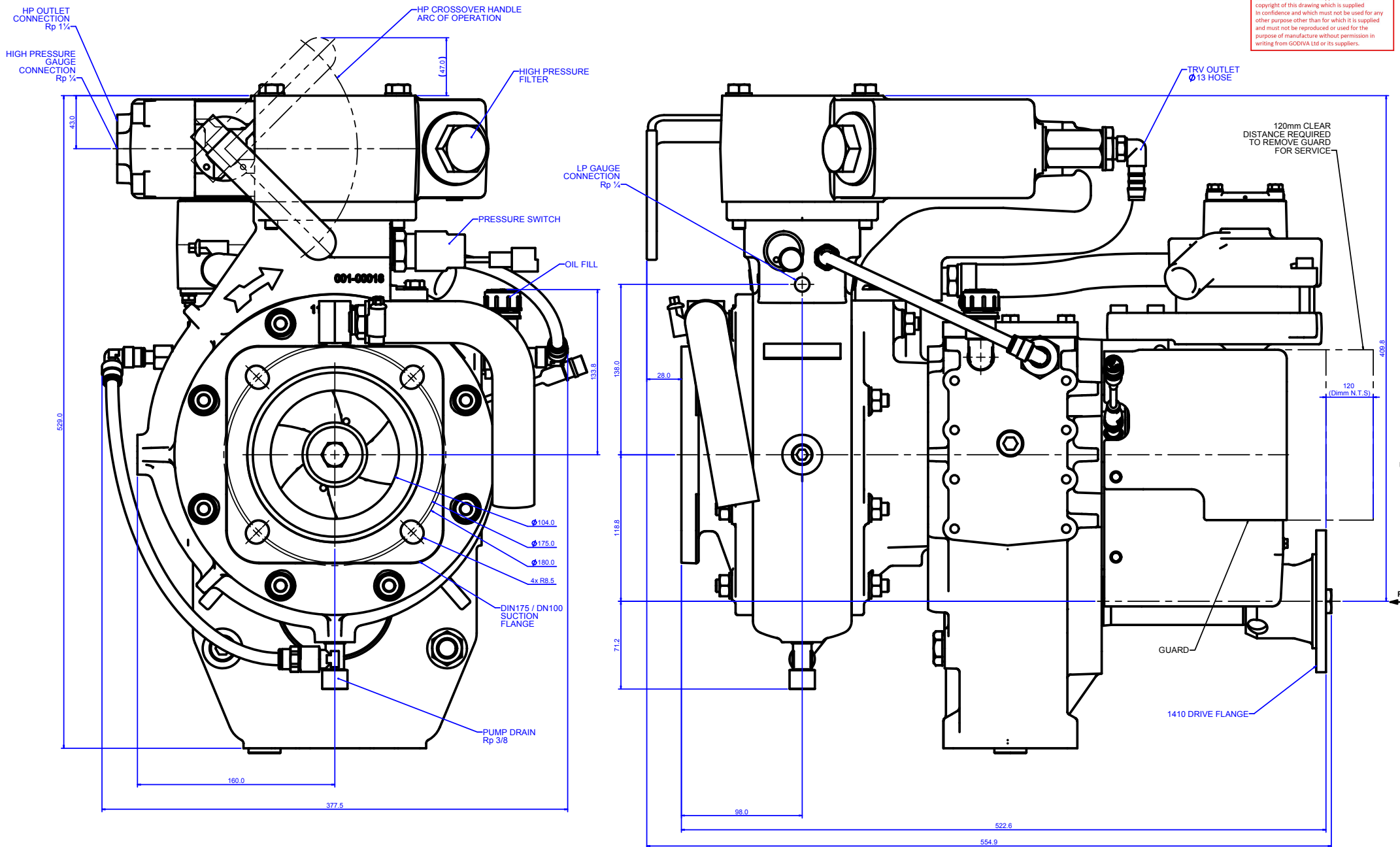


GODIVA Ltd or one of its suppliers owns the copyright of this drawing which is supplied in confidence and which must not be used for any other purpose other than for which it is supplied and must not be reproduced or used for the purpose of manufacture without permission in writing from GODIVA Ltd or its suppliers.



REVISIONS					
ECN	REV	ZONE	CHANGED FROM	BY	DATE

UNLESS OTHERWISE SPECIFIED DIMENSIONS ARE IN MILLIMETERS INCHES ARE FOR REFERENCE. ONLY TOLERANCE FOR MILLIMETER DIMENSIONS:

X.X ±0.5  
 X.XX ±0.25  
 X.XXX ±0.125  
 ANGLES: ±0.25°  
 SURFACE TEXTURE: IN µm Ra  
 REMOVE ALL SHARP EDGES: 0.25MAX

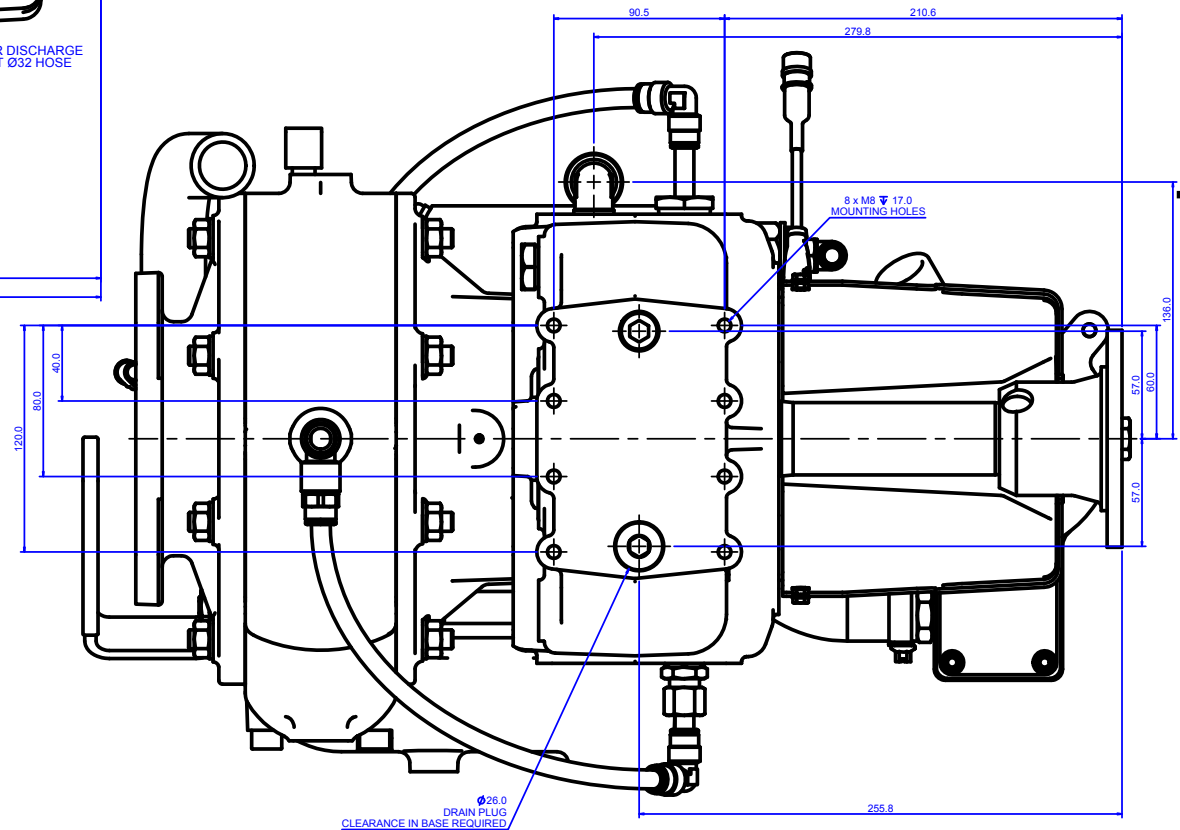
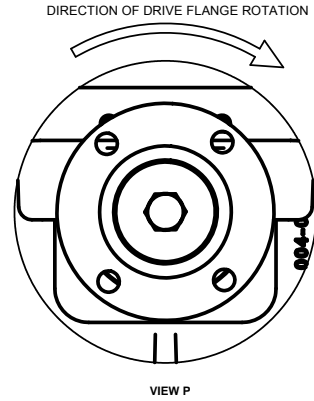
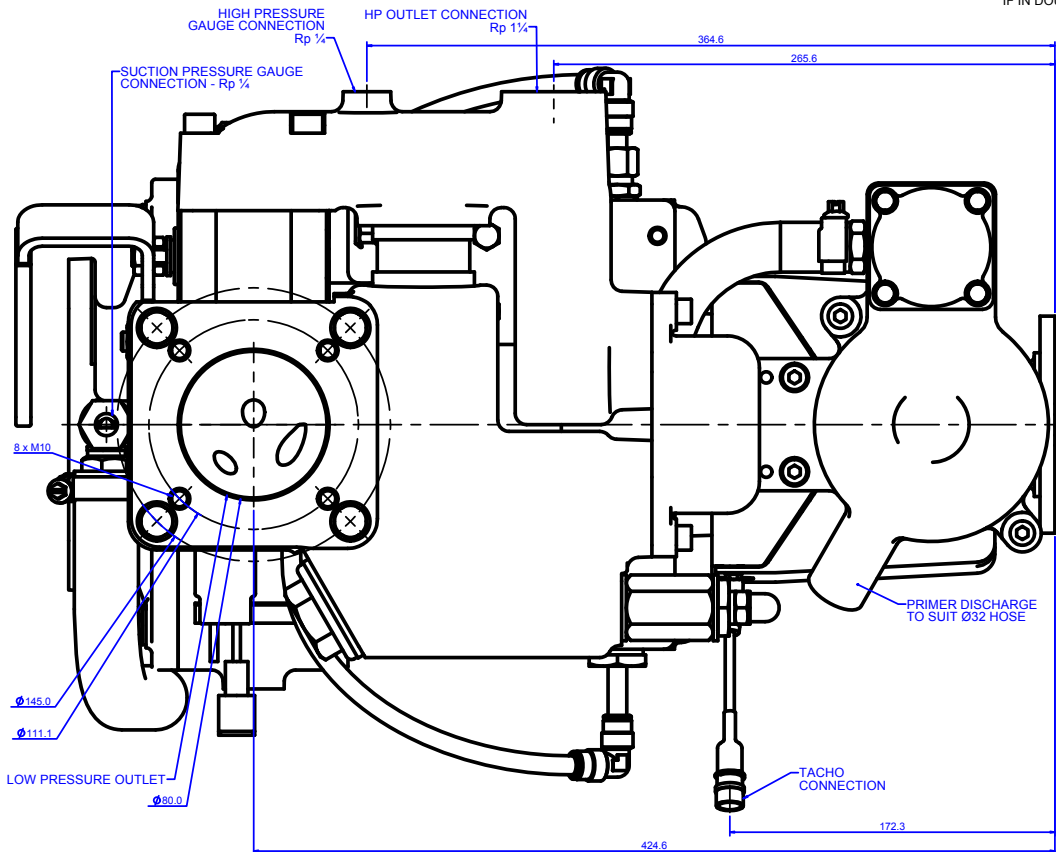
COPYRIGHT © NOT TO BE REPRODUCED OR USED TO MAKE OTHER DRAWINGS OR MACHINERY

FSG OF GODIVA LTD		GODIVA		Classif	
MULTI PRESSURE, G/BOX DOWN					
PROJ	ISSUED	DATE	REV	DATE	REV
FSG-PRJ-0010		23MARG2015			




501-00038-002

IF IN DOUBT ASK

PROJECTION: 



GODIVA Ltd or one of its suppliers owns the copyright of this drawing which is supplied in confidence and which must not be used for any other purpose other than for which it is supplied and must not be reproduced or used for the purpose of manufacture without permission in writing from GODIVA Ltd or its suppliers.

DIMENSIONS UNLESS OTHERWISE SPECIFIED ARE IN MILLIMETERS DIMENSIONS ARE FOR REFERENCE ONLY TOLERANCE FOR MILLIMETER DIMENSIONS: X.X ± 0.1 X.XX ± 0.05 X.XXX ± 0.025 ANGLES ± 0.25° SURFACE TEXTURE IN $\mu m$ Ra REMOVE ALL SHARP EDGES 0.25 MAX		  
MULTI PRESSURE, G/BOX DOWN		PROJECT: FSG-PRJ-0010
DRAWN: MK	CHECKED:	APPROVED:
DATE: 23MAY2014	SCALE: 1:1	SHEET: 1 OF 1
NOT TO BE REPRODUCED OR USED TO MAKE OTHER DRAWINGS OR MACHINERY		501-00038-002