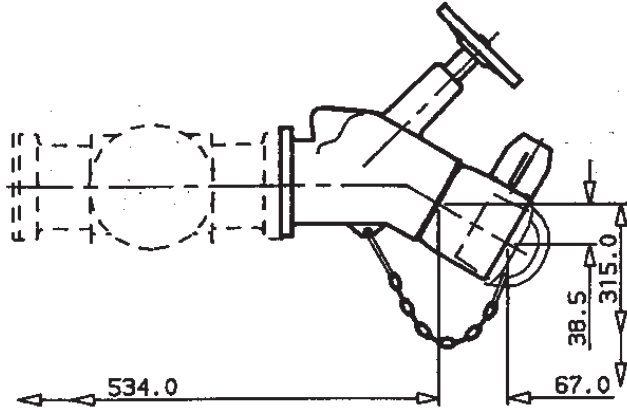
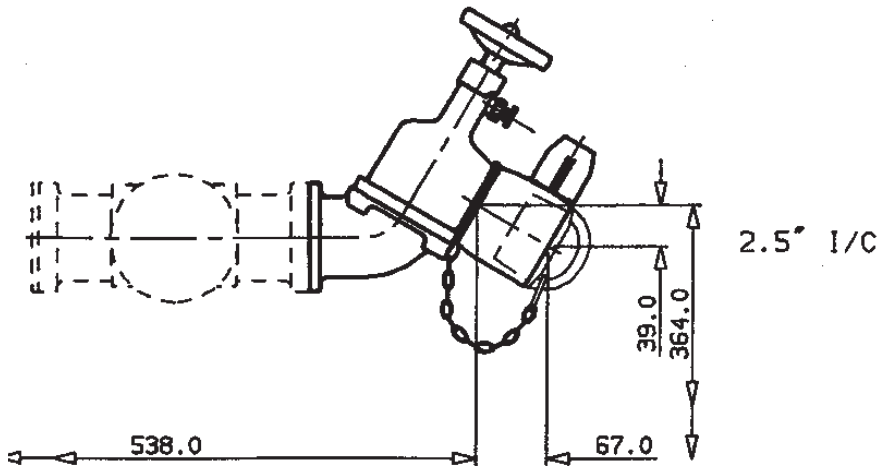


UK Type



Dual Flow valve is similar to UK type but includes capability to lift valve flap for draining hoses

Continental



Ball

