

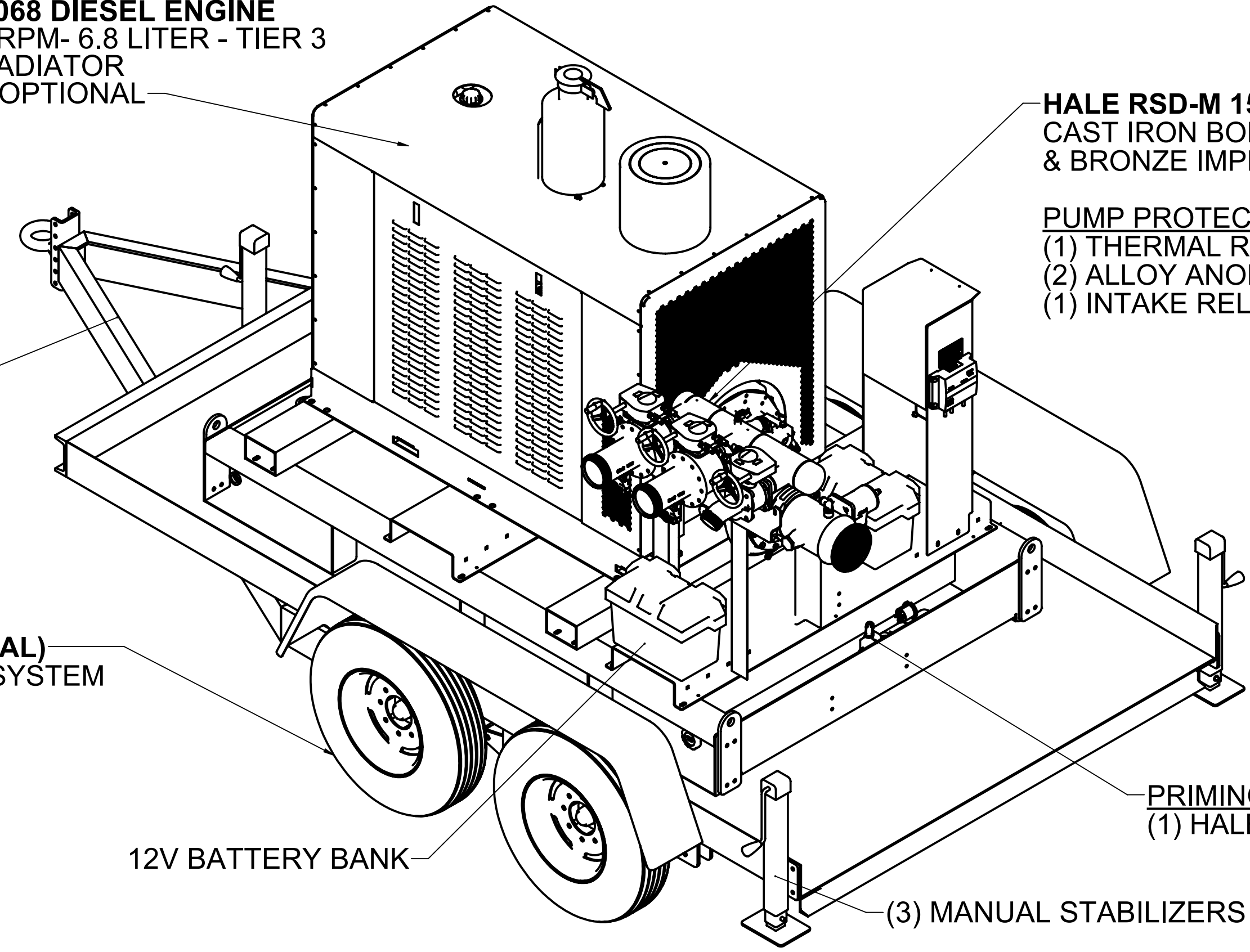
**JOHN DEERE 6068 DIESEL ENGINE**  
 275 HP @ 2400 RPM- 6.8 LITER - TIER 3  
 HEAVY DUTY RADIATOR  
 IVECO ENGINE OPTIONAL

**HALE RSD-M 1500GPM**  
 CAST IRON BODY  
 & BRONZE IMPELLER

**PUMP PROTECTION**  
 (1) THERMAL RELIEF VALVES  
 (2) ALLOY ANODE  
 (1) INTAKE RELIEF VALVE

INTEGRATED  
 CHAIN BOX

**10,000 GVWR MIN TRAILER (OPTIONAL)**  
 ELECTRIC BRAKES WITH BREAK AWAY SYSTEM  
 WHEEL CHOCKS INCLUDED



12V BATTERY BANK

**PRIMING SYSTEM**  
 (1) HALE ESP-12 PRIMER

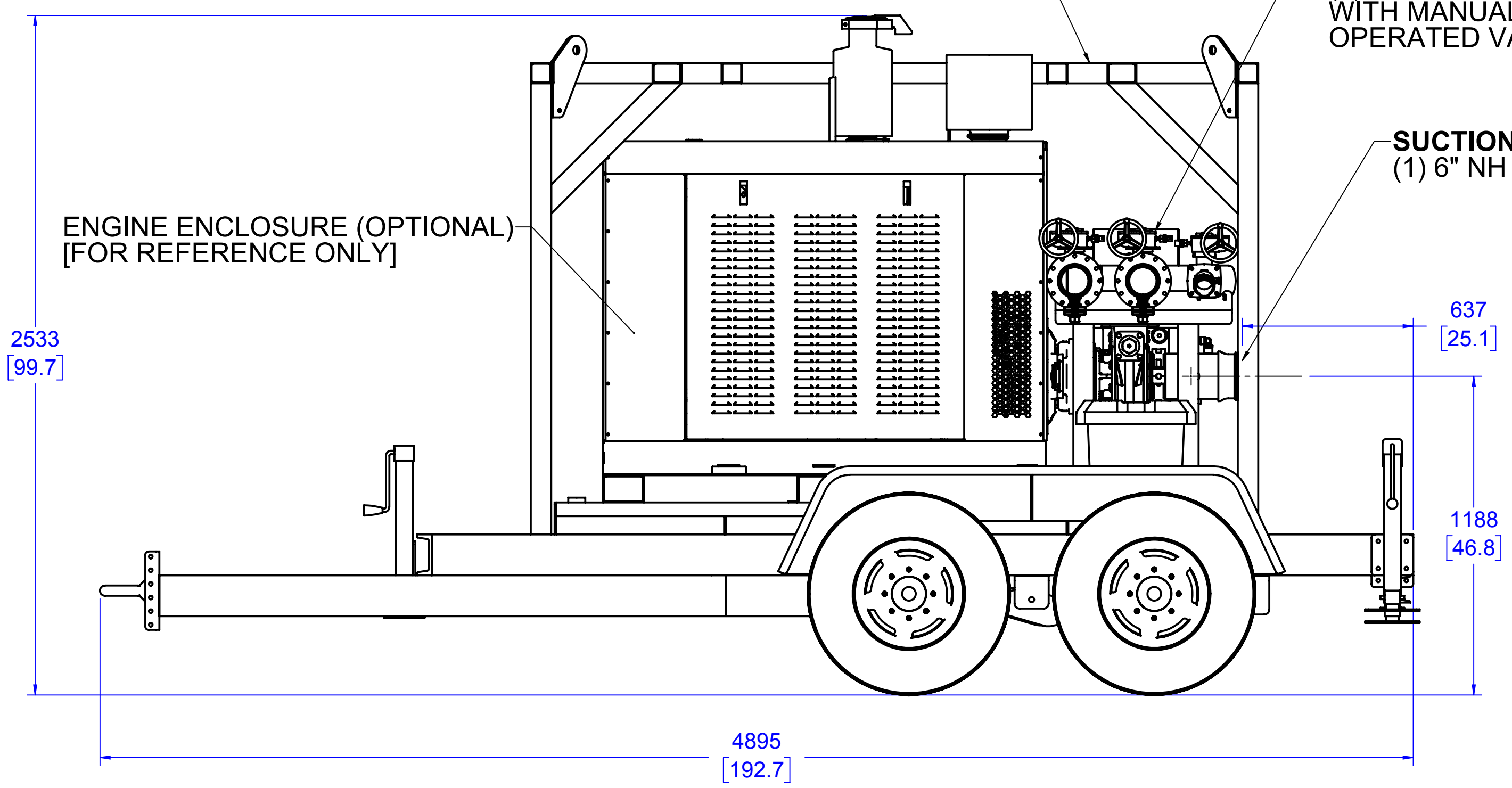
(3) MANUAL STABILIZERS

**4-POINT LIFTING FRAME / EXOSKELETON (OPTIONAL)**  
 [FOR REFERENCE ONLY]

**DISCHARGE**  
 (1) 3" VALVES WITH 3" NH CONNECTION  
 (2) 4" VALVES WITH 4" NH CONNECTION  
 WITH MANUAL HANDWHEEL  
 OPERATED VALVES

**SUCTION**  
 (1) 6" NH CONNECTION

**ENGINE ENCLOSURE (OPTIONAL)**  
 [FOR REFERENCE ONLY]



FUEL GAUGE

120V BATTERY CHARGER

BLOCK HEATER  
 (OPTIONAL)

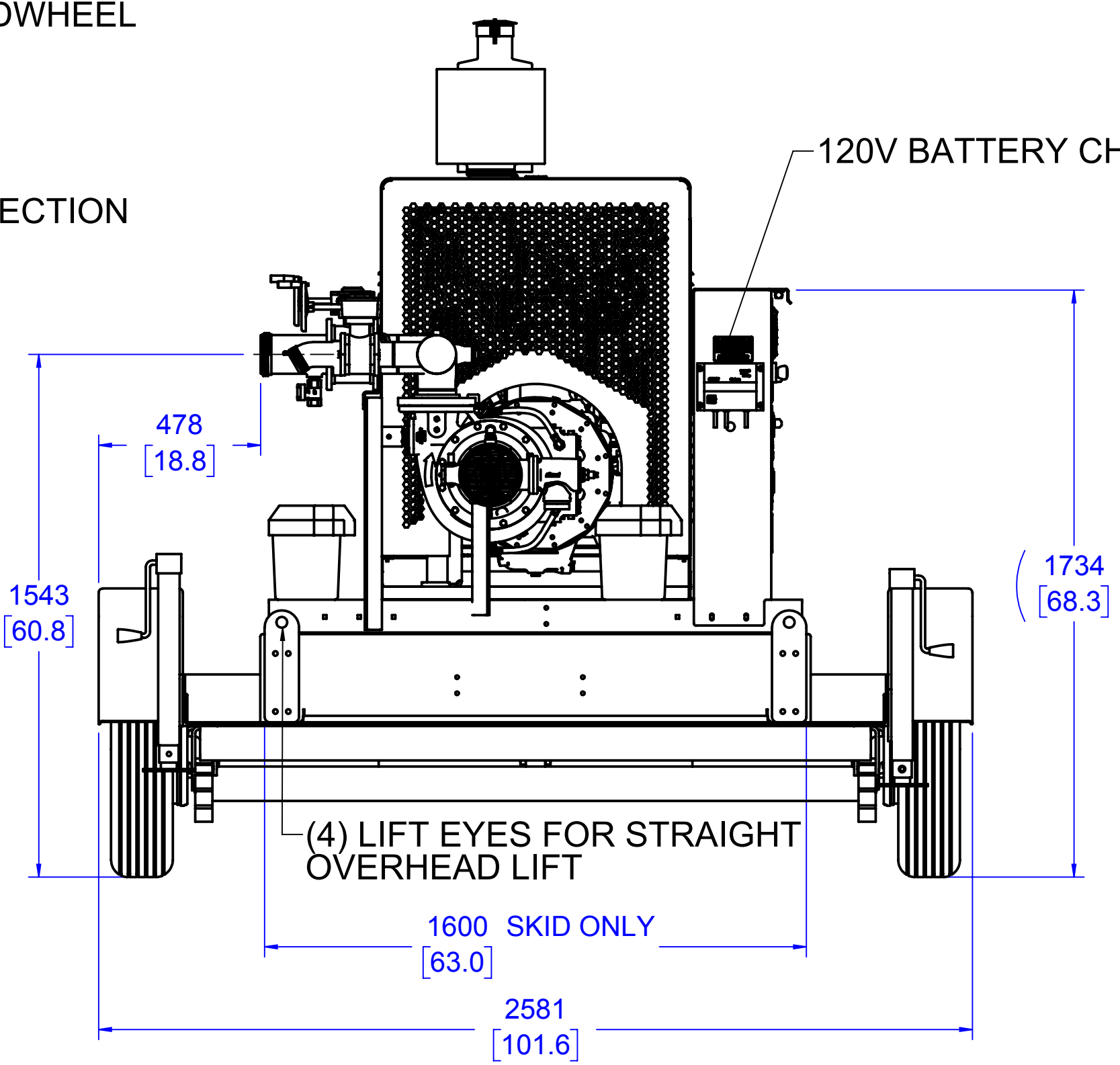
TPG+

EMERGENCY  
 STOP

IGNITION SWITCH

SPV PRIMING  
 ACTUATOR

MASTER BATTERY  
 DISCONNECT



(4) LIFT EYES FOR STRAIGHT  
 OVERHEAD LIFT

1600 SKID ONLY  
 [63.0]

**GENERAL NOTES:**  
 1. FUEL CAPACITY: 150 GALLONS  
 2. APPROXIMATE UNIT WEIGHT: 7500 LBS (WITH FUEL)

ECN	REV.	ZONE	CHANGED FROM	BY	DATE	APVD
3969	A		ORIGINAL RELEASE	MTV	26JUN2015	JLS
	B		ENCLOSURE ADDED TO ALL VIEWS, UPDATED NOTES	JS2	10FEB2017	RAK

UNLESS OTHERWISE SPECIFIED  
 DIMENSIONS ARE IN MILLIMETERS  
 [INCHES ARE FOR REFERENCE, ONLY]  
 TOLERANCE FOR MILLIMETER DIMENSIONS:  
 X: -±1  
 X.X: ±0.5  
 X.XX: ±0.25  
 X.XXX: ±0.125  
 ANGLES: ±0.25°  
 SURFACE TEXTURE IN µm Ra  
 REMOVE ALL SHARP EDGES, 0.25MAX

COPYRIGHT ©  
 NOT TO BE REPRODUCED OR USED TO  
 MAKE OTHER DRAWINGS OR MACHINERY

FSG OF <b>IDEX</b> IDEX CORPORATION		<b>HALE</b> <b>GODIVA</b> <b>Class1</b>	
MATERIAL	TITLE <b>FP1500</b>		
MADE FROM	FINISH	DRAWN MTV	SIZE <b>D</b>
PROJECT	APPROVED JLS	DATE 26JUN2015	SCALE 1:15
DRAWING NUMBER <b>545-00117-000</b>		REV <b>B</b>	
SHEET 1 OF 1			