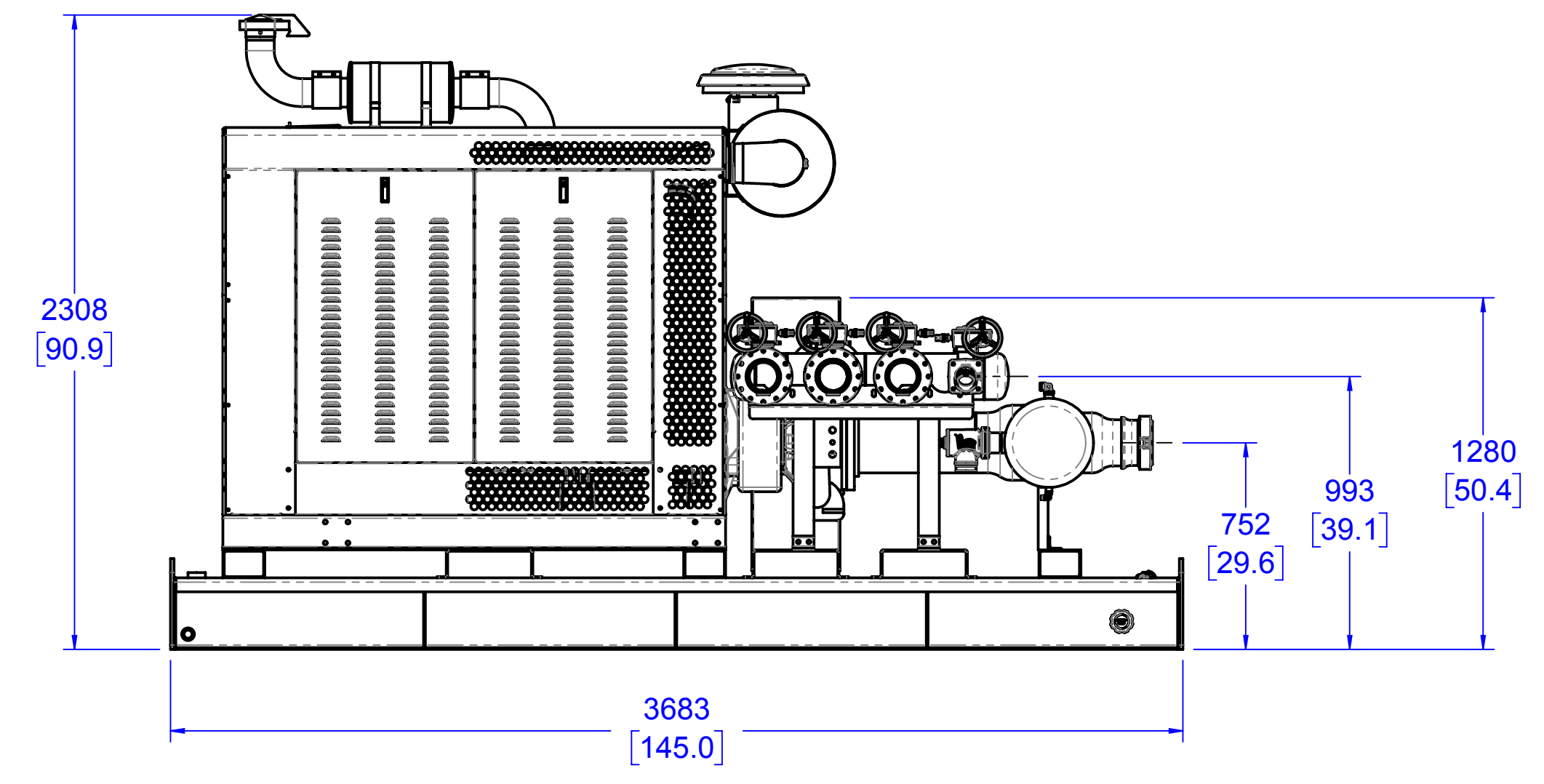


GENERAL NOTES:
 1. FUEL CAPACITY: 200 GALLONS
 2. APPROXIMATE UNIT WEIGHT: 9750 LBS (WITH FUEL)

JOHN DEERE 6090 DIESEL ENGINE
 350 HP @ 2200 RPM- 9.0 LITER - TIER 3
 HEAVY DUTY RADIATOR
 IVECO ENGINE OPTIONAL

HALE 80FCG 2000 GPM
 CAST IRON BODY
 & BRONZE IMPELLER

PUMP PROTECTION
 (1) THERMAL RELIEF VALVE
 (2) ALLOY ANODE
 (1) INTAKE RELIEF VALVE



INTEGRATED CHAIN BOX

12V BATTERY BANK

12,000 GVWR MIN TRAILER (OPTIONAL)
 SKID STEER STANDARD TRAILER
 ELECTRIC BRAKES WITH BREAK AWAY SYSTEM
 WHEEL CHOCKS INCLUDED

PRIMING SYSTEM
 (2) HALE ESP-12 PRIMER

(3) MANUAL STABILIZERS

4-POINT LIFTING FRAME / EXOSKELETON (OPTIONAL)
 [FOR REFERENCE ONLY]

ENGINE ENCLOSURE (OPTIONAL)
 [FOR REFERENCE ONLY]

DISCHARGE
 (3) 4" VALVES WITH 4" NH CONNECTION
 (1) 2.5" VALVES WITH 2.5" NH CONNECTION
 WITH MANUAL HANDWHEEL OPERATED VALVES

SUCTION
 (2) 6" NH CONNECTION

FUEL GAUGE

120V BATTERY CHARGER

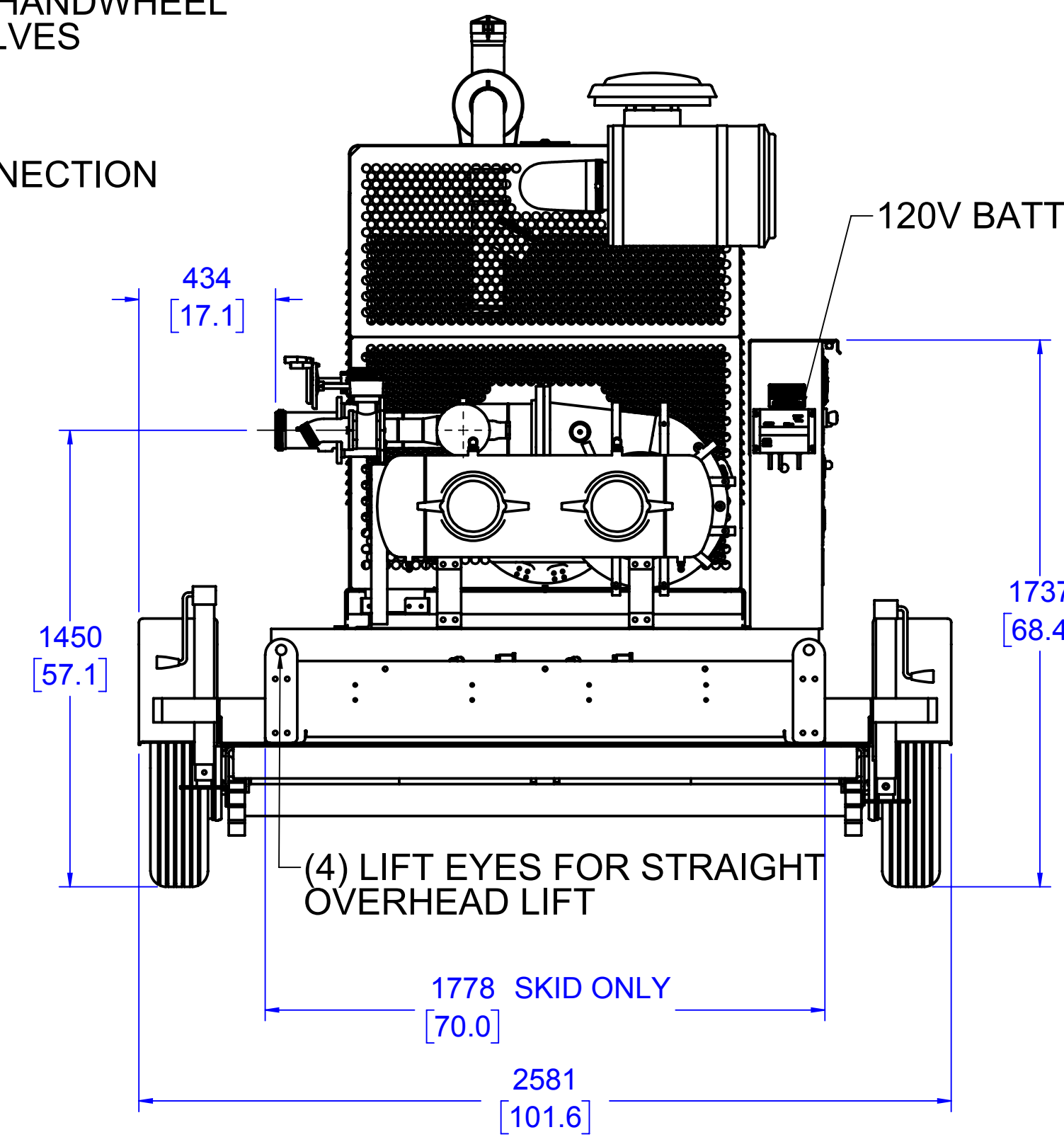
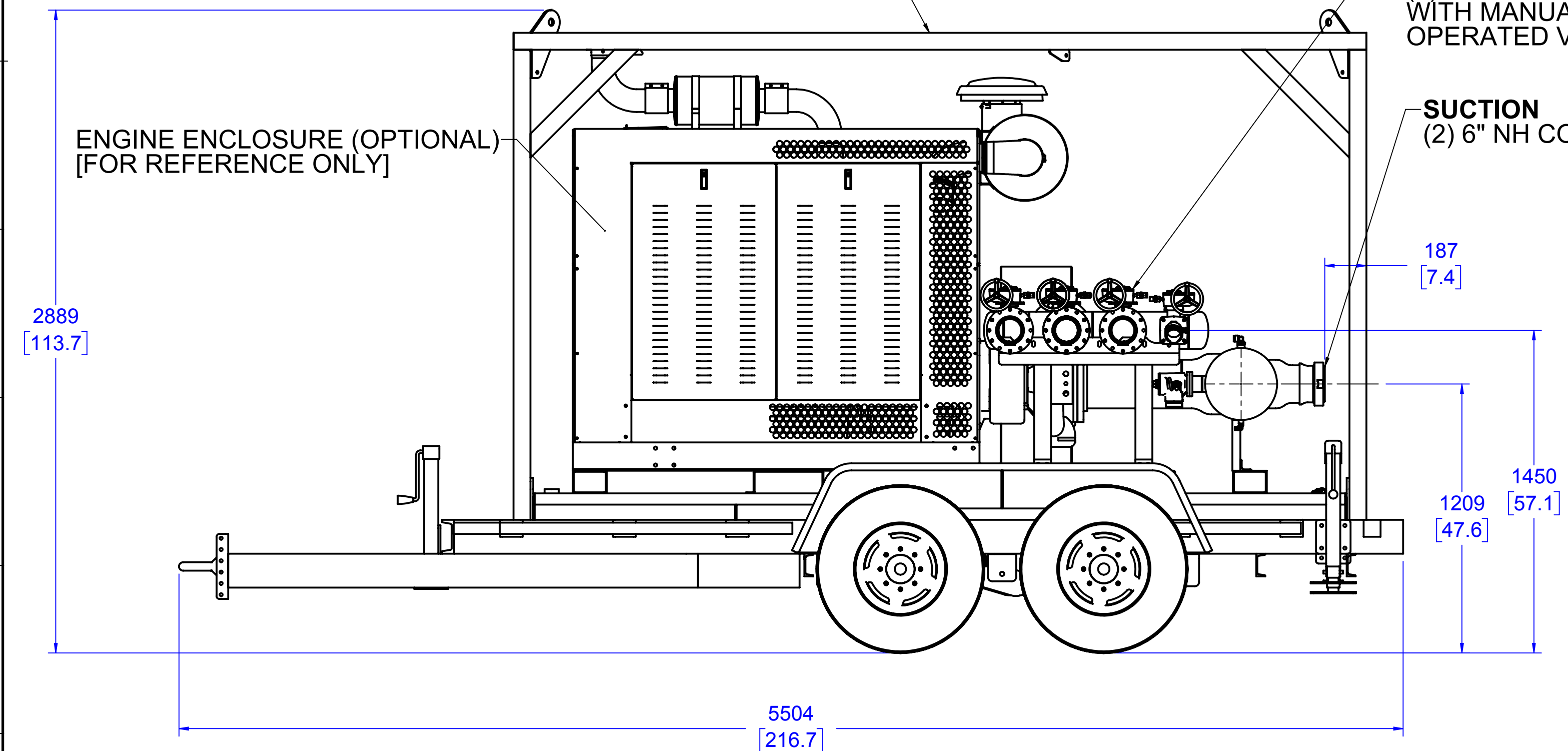
TPG+

EMERGENCY STOP

IGNITION SWITCH

SPV PRIMING ACTUATOR

MASTER BATTERY DISCONNECT



(4) LIFT EYES FOR STRAIGHT OVERHEAD LIFT

UNLESS OTHERWISE SPECIFIED DIMENSIONS ARE IN MILLIMETERS [INCHES ARE FOR REFERENCE ONLY] TOLERANCE FOR MILLIMETER DIMENSIONS:
 X: ±1
 X.X: ±0.5
 X.XX: ±0.25
 X.XXX: ±0.125
 ANGLES: ±0.25°
 SURFACE TEXTURE IN µm Ra REMOVE ALL SHARP EDGES, 0.25MAX

COPYRIGHT © NOT TO BE REPRODUCED OR USED TO MAKE OTHER DRAWINGS OR MACHINERY

FSG OF IDEX CORPORATION		HALE GODIVA Class 1	
MATERIAL	TITLE FP2000DJ-T		
MADE FROM	DRAWN KTN		
FINISH	APPROVED JLS	SIZE D	DRAWING NUMBER
PROJECT	DATE 21AUG2015	SCALE 1:17	545-00123-000
REV B			SHEET 1 OF 1

ECN	REV.	ZONE	REVISIONS	CHANGED FROM	BY	DATE	APVD
3969	A		ORIGINAL RELEASE		KTN	21AUG2015	JLS
	B		ENCLOSURE ADDED TO ALL VIEWS, UPDATED NOTES		JSZ	02MAR2017	RAK