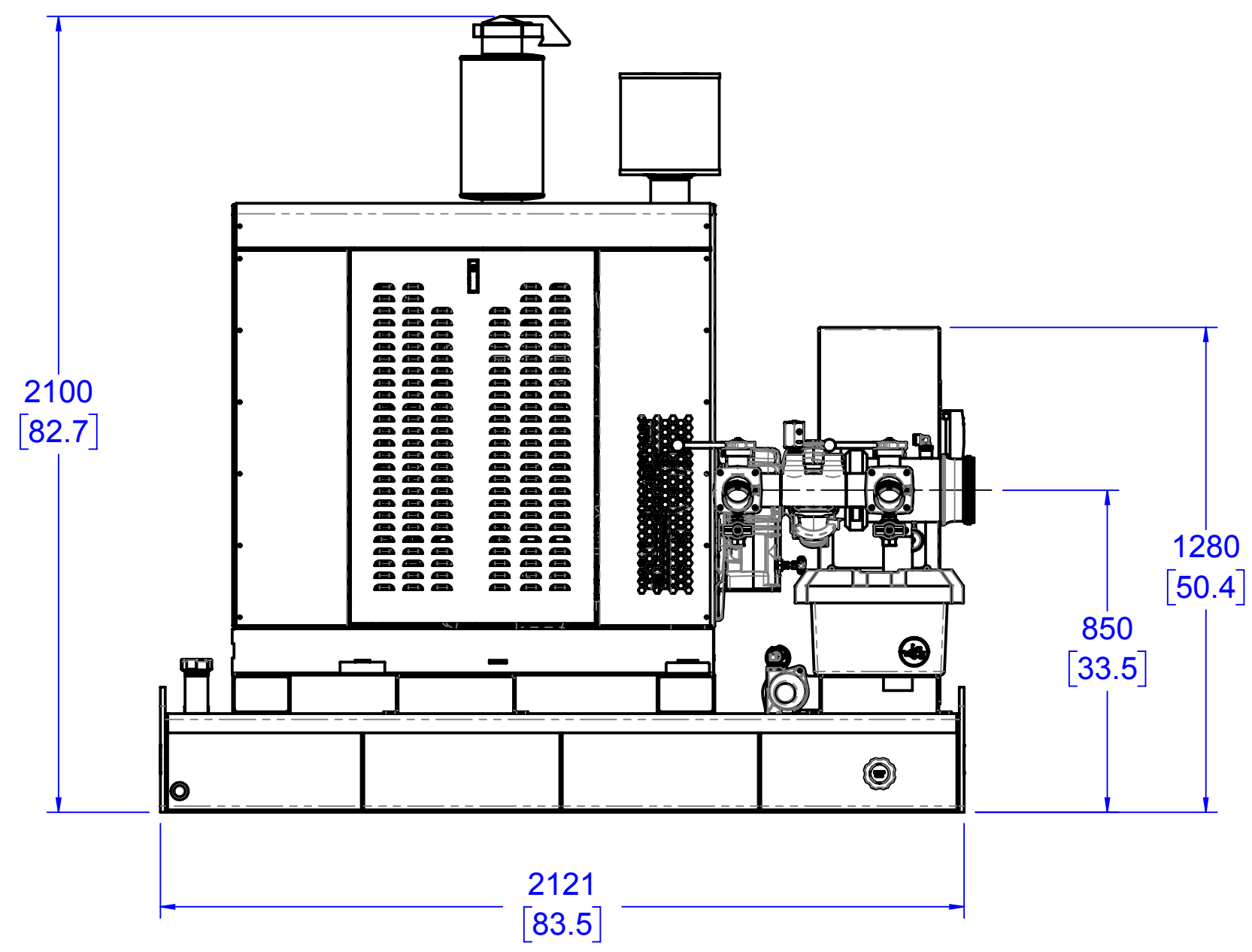
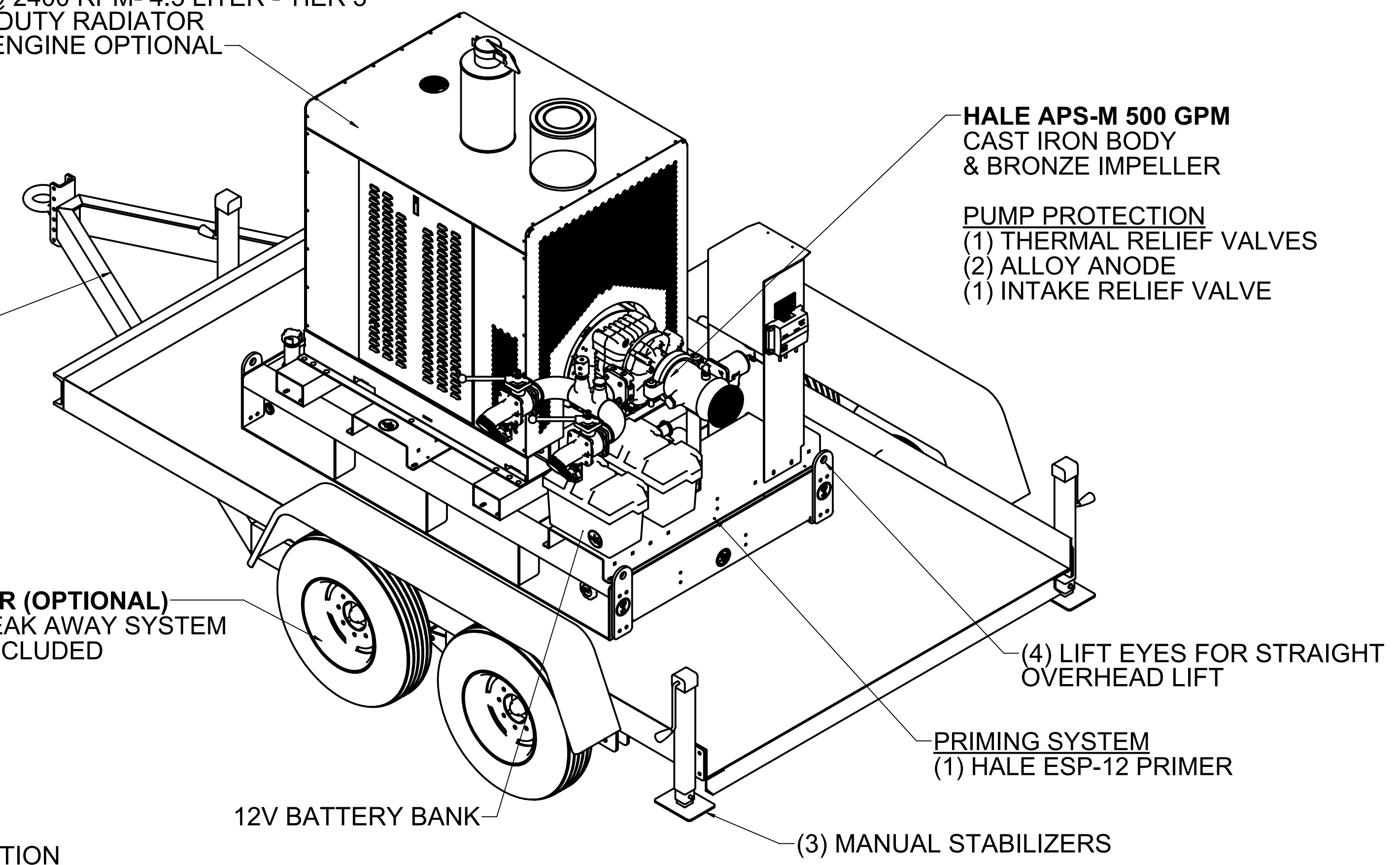


**JOHN DEERE 4045 DIESEL ENGINE**  
 99 HP @ 2400 RPM- 4.5 LITER - TIER 3  
 HEAVY DUTY RADIATOR  
 IVECO ENGINE OPTIONAL



INTEGRATED CHAIN BOX

**7,000 GVWR MIN TRAILER (OPTIONAL)**  
 ELECTRIC BRAKES WITH BREAK AWAY SYSTEM  
 WHEEL CHOCKS INCLUDED



**HALE APS-M 500 GPM**  
 CAST IRON BODY  
 & BRONZE IMPELLER

**PUMP PROTECTION**  
 (1) THERMAL RELIEF VALVES  
 (2) ALLOY ANODE  
 (1) INTAKE RELIEF VALVE

(4) LIFT EYES FOR STRAIGHT OVERHEAD LIFT

**PRIMING SYSTEM**  
 (1) HALE ESP-12 PRIMER

12V BATTERY BANK

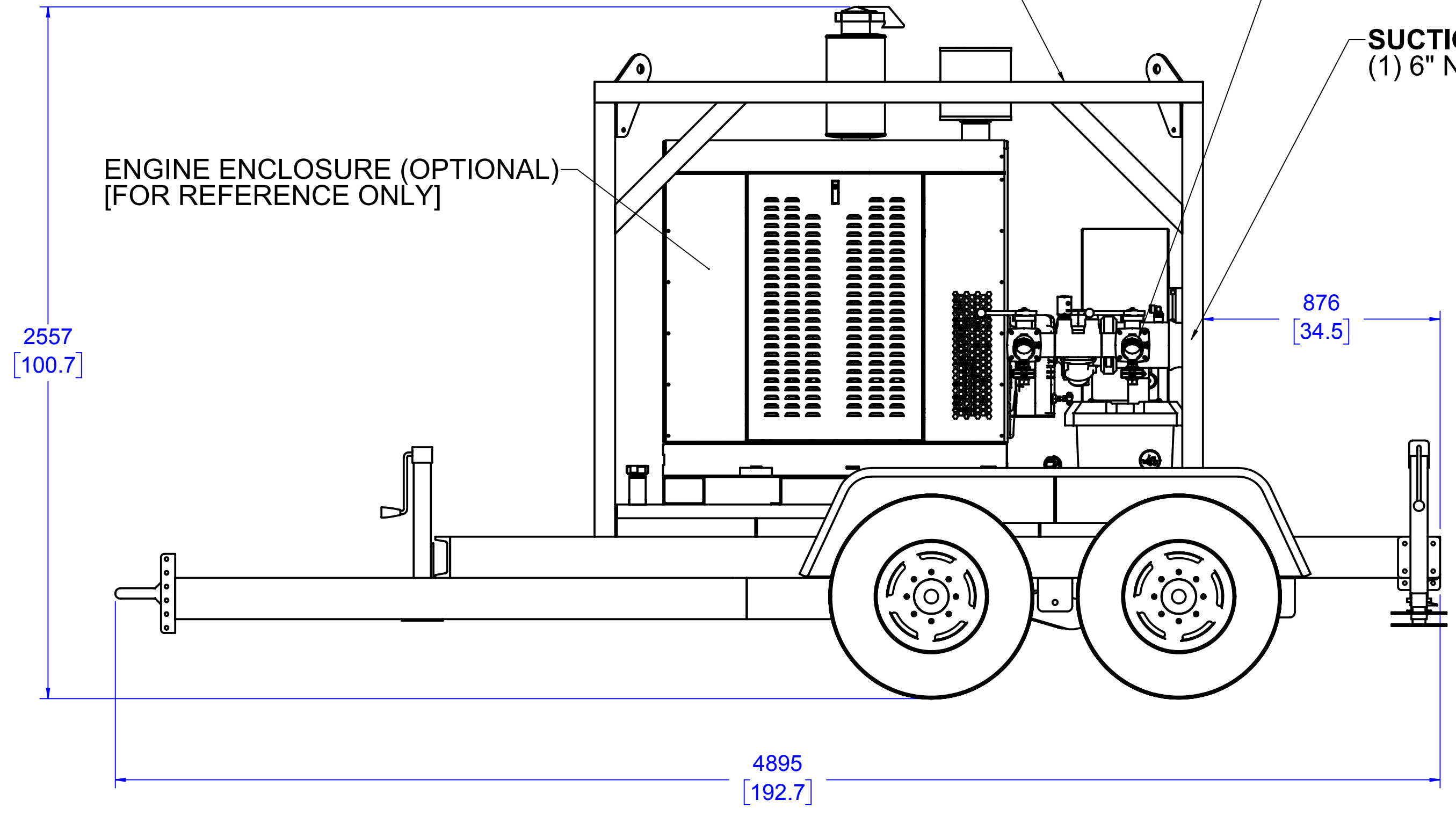
(3) MANUAL STABILIZERS

4-POINT LIFTING FRAME / EXOSKELETON (OPTIONAL)  
 [FOR REFERENCE ONLY]

**DISCHARGE**  
 (2) 2.5" VALVES WITH 2.5" NH CONNECTION  
 WITH MANUAL LEVER OPERATED VALVES

**SUCTION**  
 (1) 6" NH CONNECTION

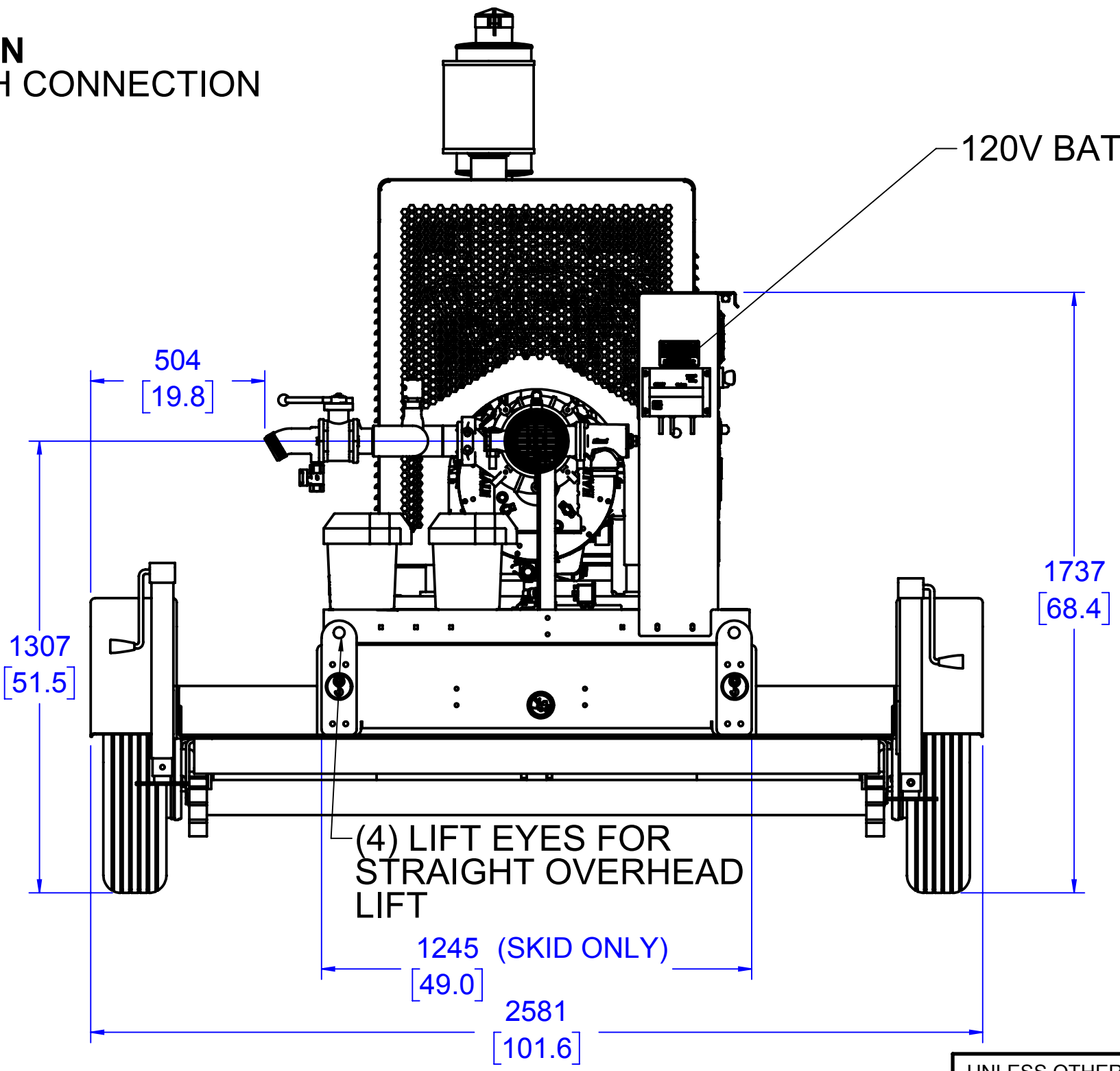
ENGINE ENCLOSURE (OPTIONAL)  
 [FOR REFERENCE ONLY]



FUEL GAUGE

120V BATTERY CHARGER

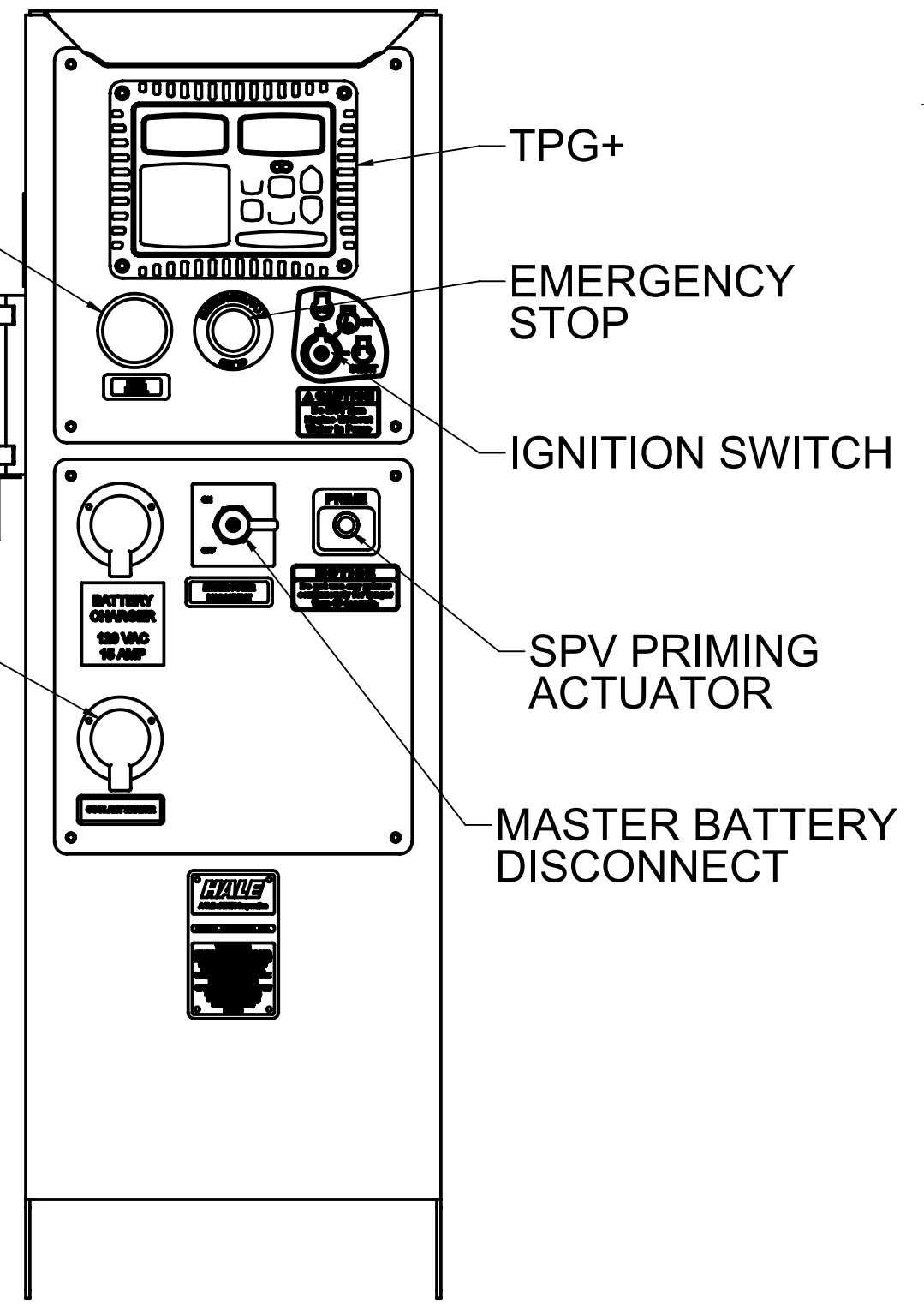
BLOCK HEATER (OPTIONAL)



(4) LIFT EYES FOR STRAIGHT OVERHEAD LIFT

BLOCK HEATER (OPTIONAL)

BLOCK HEATER (OPTIONAL)



TPG+

EMERGENCY STOP

IGNITION SWITCH

SPV PRIMING ACTUATOR

MASTER BATTERY DISCONNECT

**GENERAL NOTES:**  
 1. FUEL CAPACITY: 75 GALLONS  
 2. APPROXIMATE UNIT WEIGHT: 6000 LBS (WITH FUEL)

UNLESS OTHERWISE SPECIFIED DIMENSIONS ARE IN MILLIMETERS [INCHES ARE FOR REFERENCE, ONLY] TOLERANCE FOR MILLIMETER DIMENSIONS:  
 X: ±1  
 X.X: ±0.5  
 X.XX: ±0.25  
 X.XXX: ±0.125  
 ANGLES: ±0.25°  
 SURFACE TEXTURE IN µm Ra REMOVE ALL SHARP EDGES, 0.25MAX

FSG OF IDEX IDEX CORPORATION	
MATERIAL	TITLE
MADE FROM	
FINISH	
PROJECT	

HALE GODIVA Class 1					
FP500DJ					
DRAWN	KTN	SIZE	D	DRAWING NUMBER	REV
APPROVED	JLS	SCALE	1:15	545-00116-000	B
DATE	24AUG2015				SHEET 1 OF 1

REVISIONS						
ECN	REV.	ZONE	CHANGED FROM	BY	DATE	APVD
	A		ORIGINAL RELEASE	KTN	24AUG2015	JLS
3969	B		ENCLOSURE ADDED TO ALL VIEWS, UPDATED NOTES	JS2	27FEB2017	RAK