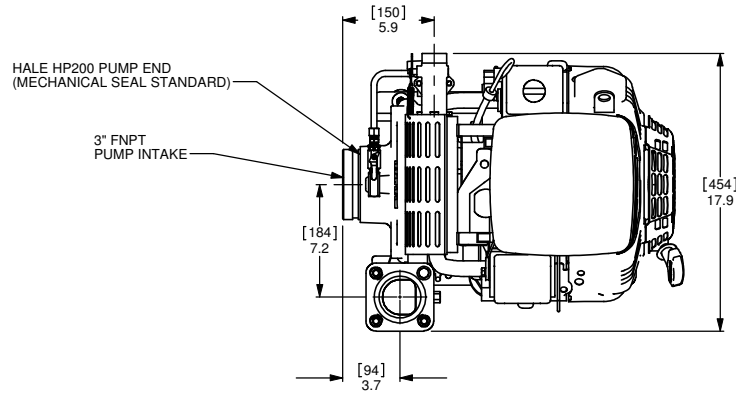
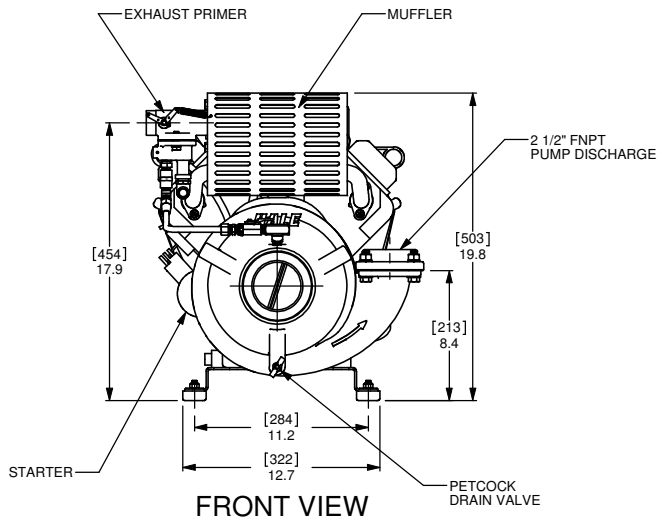


HPX200-B18 X-VERSION INSTALLATION DRAWING

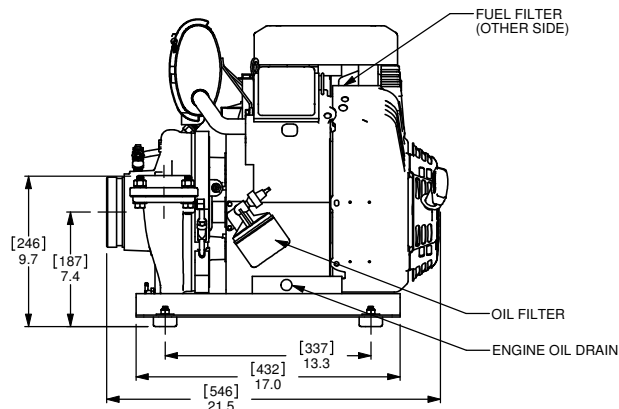
WEIGHT
134 LBS [60.8 KG]



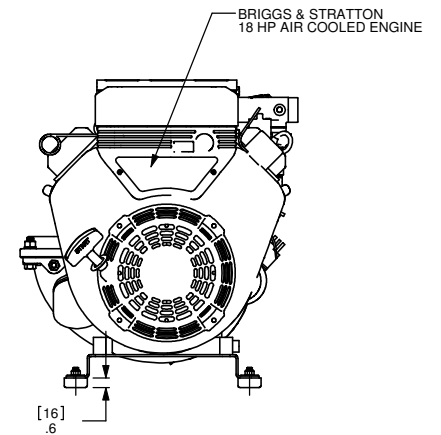
TOP VIEW



FRONT VIEW





RIGHT SIDE VIEW



REAR VIEW

CL1-PL-0012

	607 N.W. 27th Ave. Ocala, Florida 34475 Phone: 352-629-5020 FAX: 352-629-2902		
	DRAWN JRH CHECKED JBS	DATE 09/10/08	

COPYRIGHT ©
NOT TO BE REPRODUCED OR USED TO
MAKE OTHER DRAWINGS OR MACHINERY.