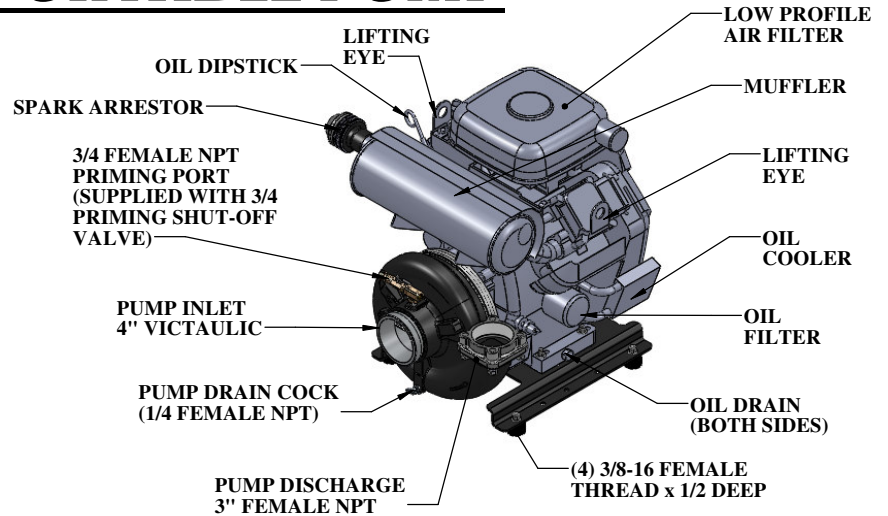
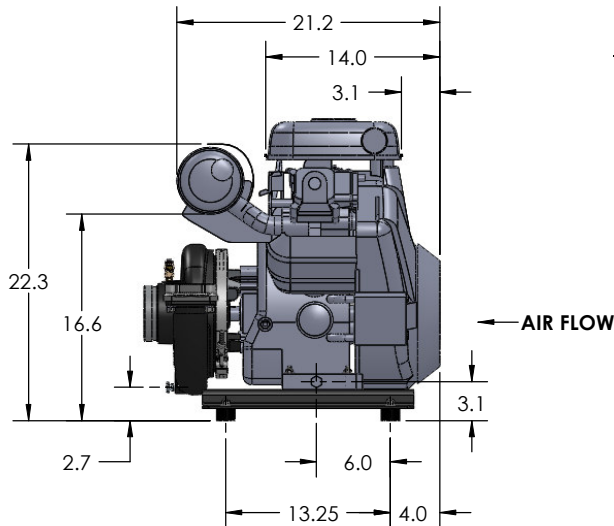
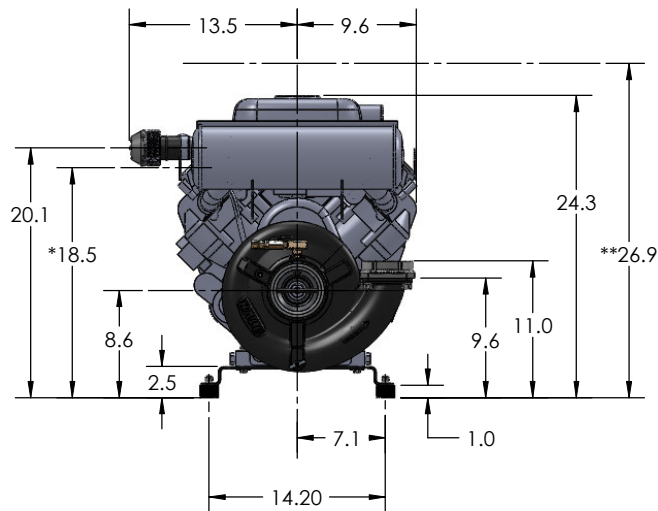
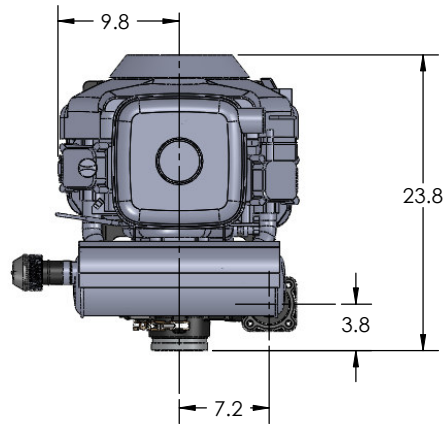


# HALE HPX325 & HPX450-B35 PORTABLE PUMP

DIMENSIONS: 23.8" (605 mm) LONG x 24.3" (617 mm) HIGH x 23.5" (597 mm) WIDE  
 APPROXIMATE WEIGHT: 190 POUNDS (86.2 kg)



**NOTES:**

1. SUPPLIED WITH BRIGGS AND STRATON VANGUARD 35 HP, AIR COOLED GASOLINE ENGINE.
- \*2. DIMENSION SHOWS FUEL PUMP LOCATION. FUEL PUMP MAXIMUM LIFT IS 18 INCHES (457 mm). FUEL TANKS LOCATED BELOW THIS HEIGHT MUST BE SUPPLIED WITH AN AUXILIARY FUEL PUMP THAT WILL SUPPLY 1-1/2 TO 2 PSI AT THE CARBURETOR HEIGHT (TO THE ENGINE MOUNTED FUEL PUMP).
- \*\*3. MINIMAL CLEARANCE FOR AIR COVER REMOVAL.
4. MINIMUM OF 4" INTAKE PIPING WITH A STRAIGHT RUN INTO THE PUMP IS RECOMMENDED FOR MAXIMUM PUMP PERFORMANCE.
5. OPTIONS:
  - \* ELECTRIC OR HAND PRIMER
  - \* INTAKE AND/OR DISCHARGE MANIFOLDING
  - \* REMOTE OR MOUNTED CONTROL PANEL
  - \* CARRY HANDLES
  - \* BATTERY KIT

THIRD ANGLE PROJECTION 	A Unit of <b>Class 1</b> IDEX CORPORATION		807 N.W. 27th Ave. Ocala, Florida 34475 Phone: 352-629-5020 FAX: 352-629-2902			
	HPX325 & HPX450-B35 PUMPING UNIT INSTALLATION DRAWING					
This document and the information hereon are the exclusive property of Class 1 and is loaned to you subject to return on demand, unless otherwise agreed to in writing by Class 1.	CAGE IDENT. NO. 1015109	COMPLETED JBS	DRAWN JBS	CHECKED JBS	APPROVED JBS	PROJECT -
SIZE B	DRAWING NUMBER CL1-PL-0042				REV -	
SCALE 1:10					SHEET 1 OF 1	