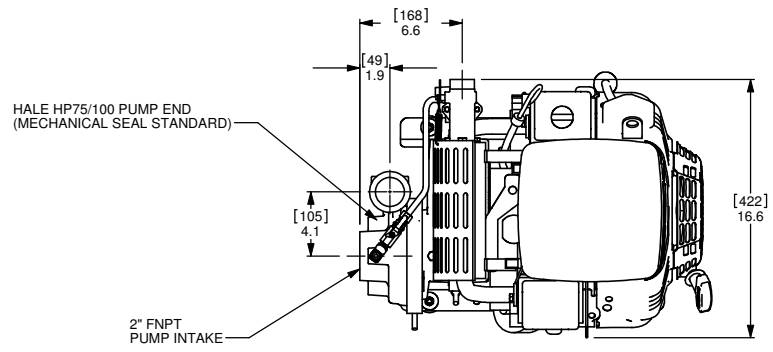
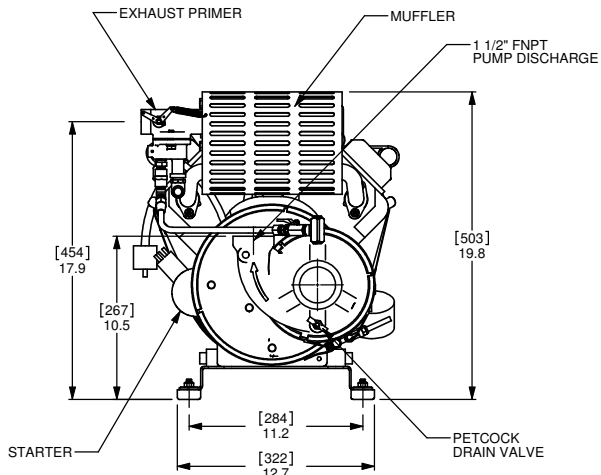


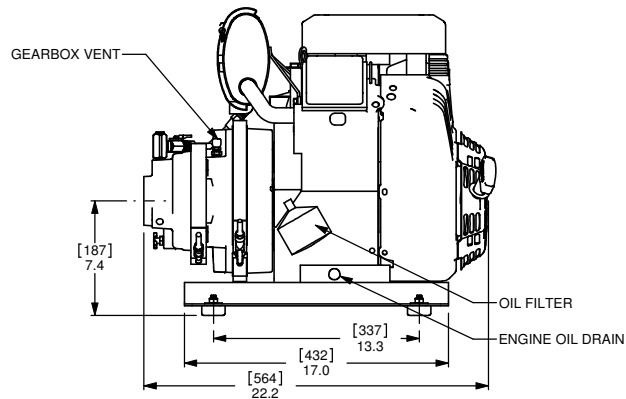
HPX75/100-B18 X-VERSION INSTALLATION DRAWING



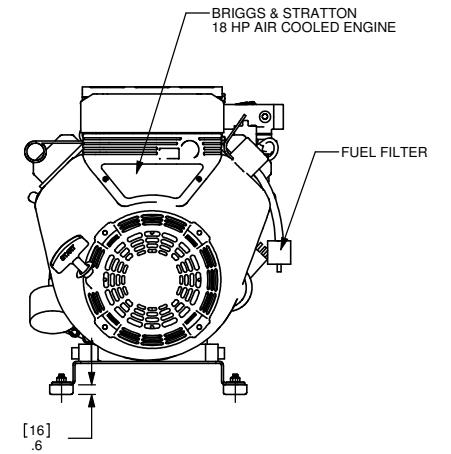
TOP VIEW



FRONT VIEW



RIGHT SIDE VIEW



REAR VIEW

CL1-PL-0009

	607 N.W. 27th Ave. Ocala, Florida 34475 Phone: 352-629-5020 FAX: 352-629-2902		
	DRAWN: JRH CHECKED: JBS	DATE: 09/10/08	