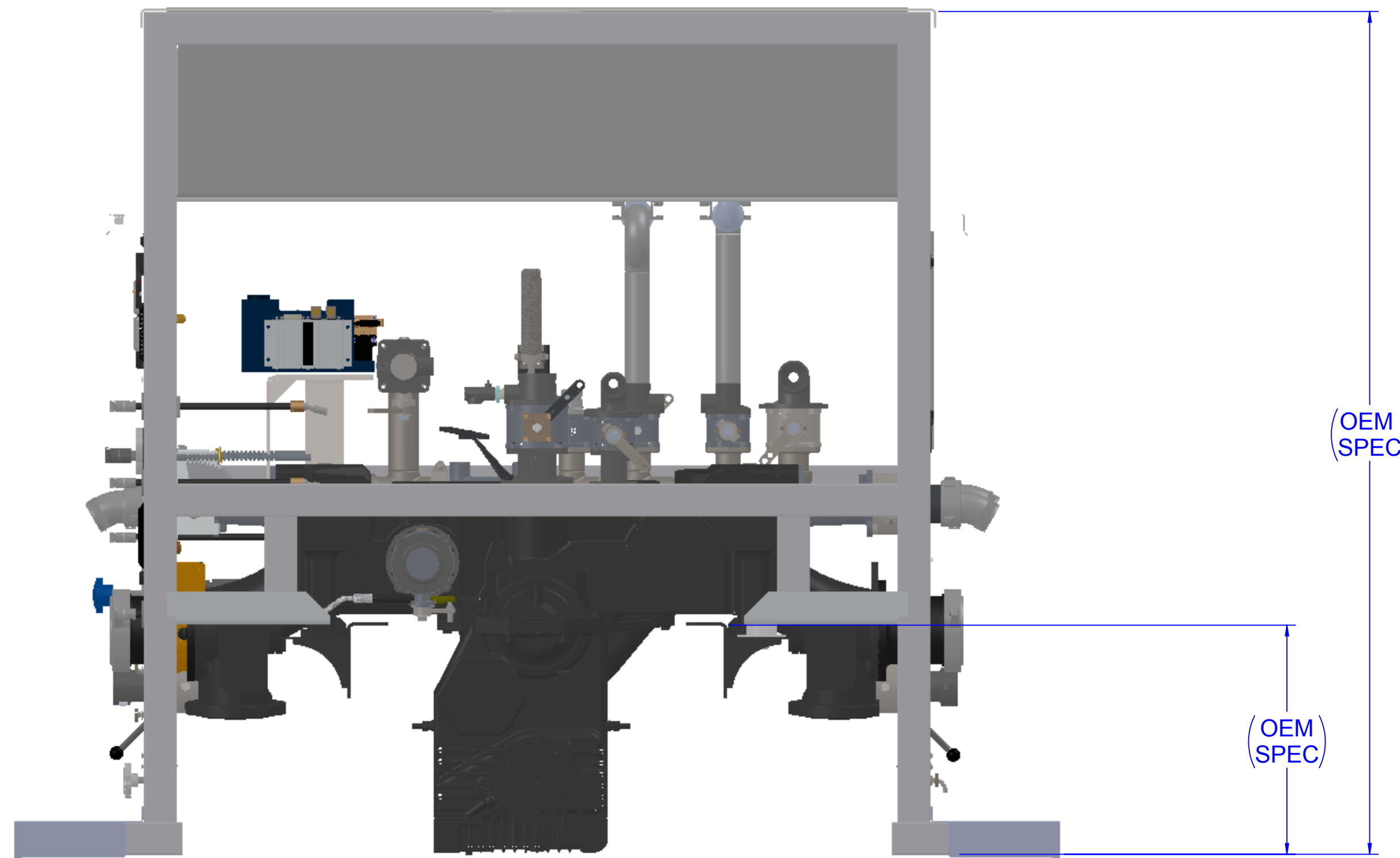
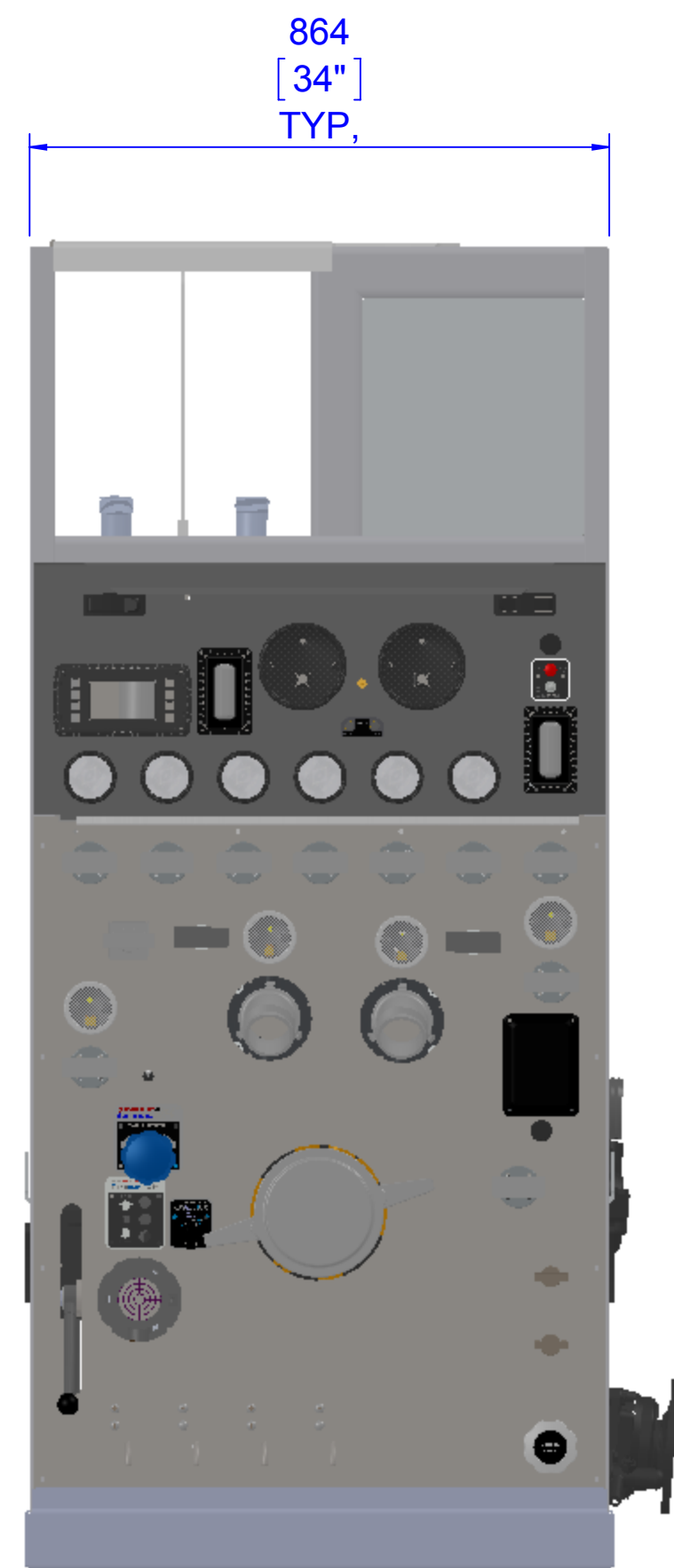
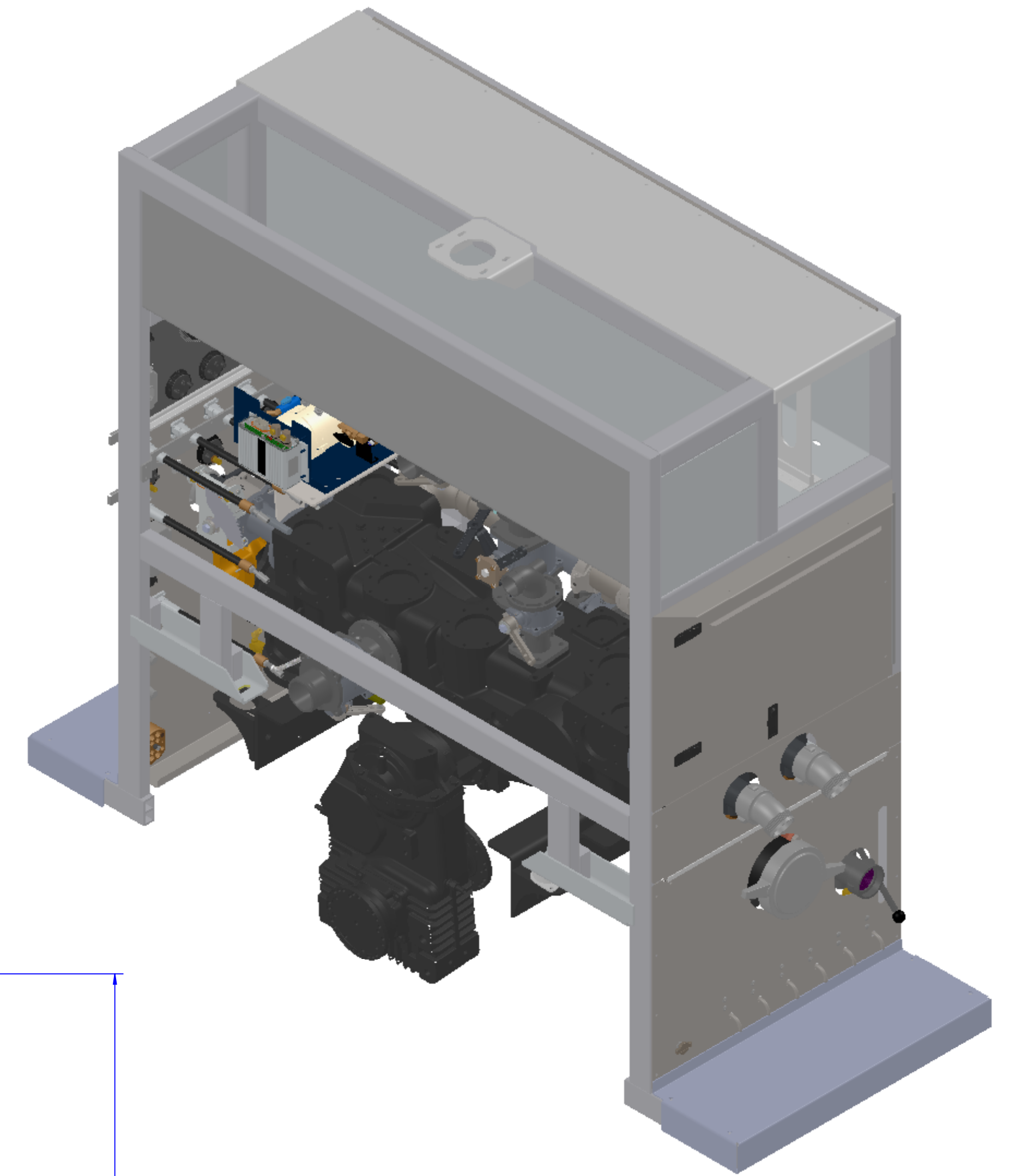
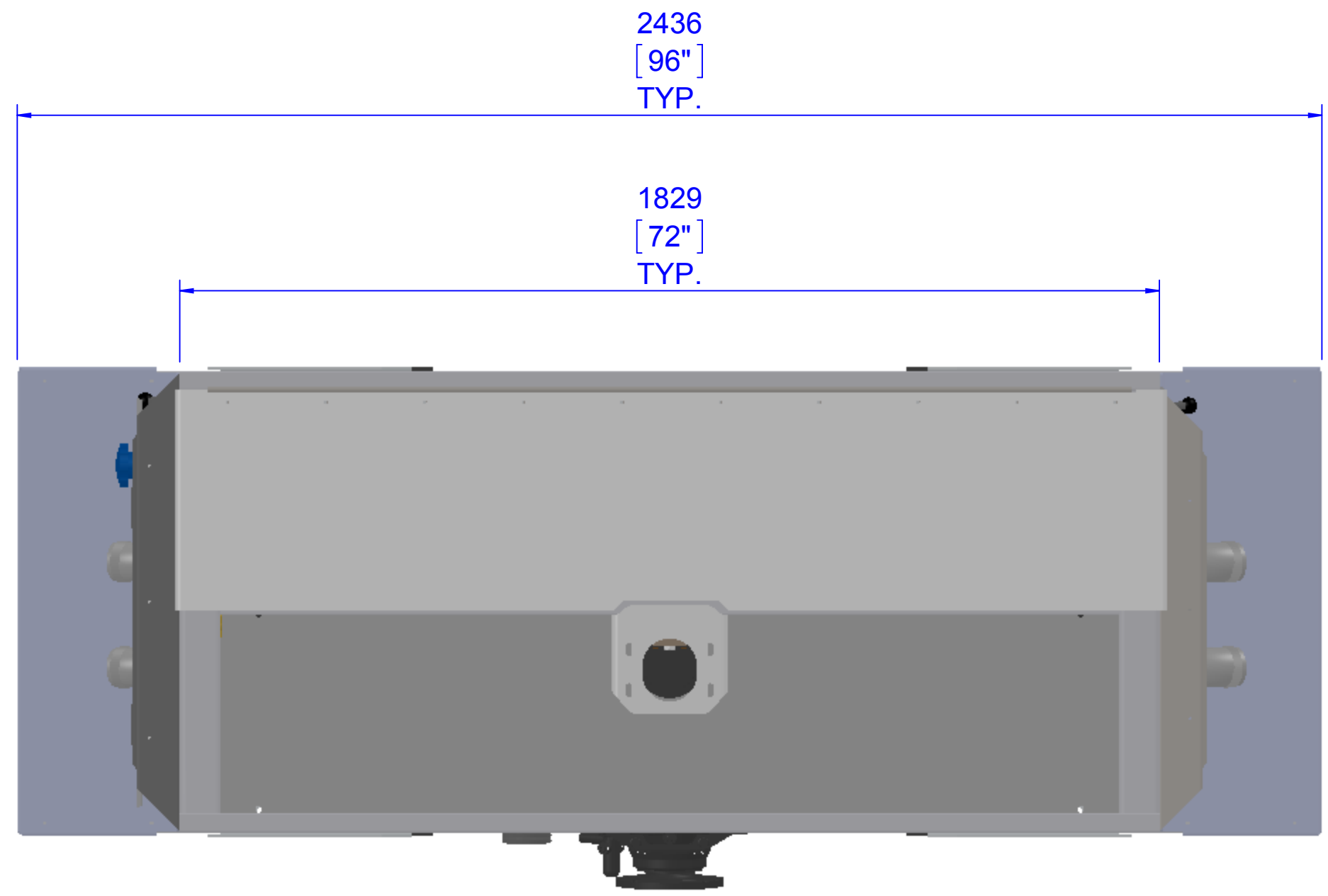




IF IN DOUBT ASK

PROJECTION: 



UNLESS OTHERWISE SPECIFIED  
DIMENSIONS ARE IN MILLIMETERS  
[INCHES ARE FOR REFERENCE, ONLY]  
TOLERANCE FOR MILLIMETER DIMENSIONS:  
X: ±1  
X.X: ±0.5  
X.XX: ±0.25  
X.XXX: ±0.125  
ANGLES: ±0.25°  
SURFACE TEXTURE IN µm Ra  
REMOVE ALL SHARP EDGES, 0.25MAX

COPYRIGHT ©  
NOT TO BE REPRODUCED OR USED TO  
MAKE OTHER DRAWINGS OR MACHINERY

			
MATERIAL		TITLE <b>Master SM Q-XS 72 X 34</b>	
MADE FROM		DRAWN JDF	
FINISH		APPROVED JB	
PROJECT		DATE 31MAR2015	
SIZE <b>D</b>		DRAWING NUMBER <b>Master SM Q-XS 72 X 34</b>	
SCALE 1:10		REV <b>B</b>	
		SHEET 1 OF 4	

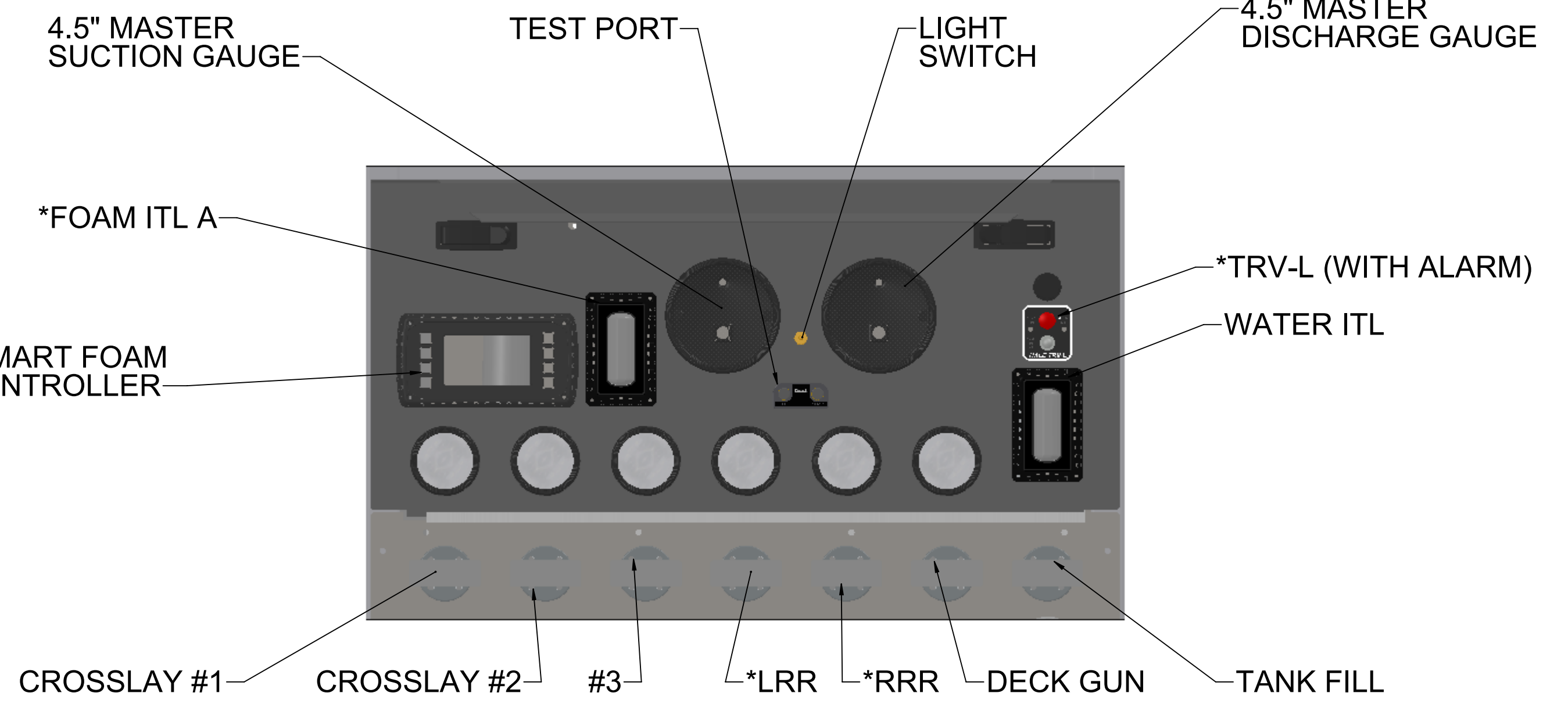
REVISIONS					
ECN	REV.	ZONE	CHANGED FROM	BY	DATE
	A		PRELIMINARY	JDF	31MAR2015
	B		UPDATED FORMAT	JSJ	08AUG2016
			APVD		
			JB		
			KN		

\*CROSSLAY COVER

CROSSLAY 1  
(250" 1-3/4" HOSE)

CROSSLAY 2  
(250" 1-3/4" HOSE)

\*OPTIONAL COMPONENTS



DETAIL A

#1

PRIMER

\*HOSE REEL

\*JUMP LINE 2.0"

\*LH SIDE MIVE OVERRIDE

\*LH SIDE MIVE W/ABV

#2

#4

TPG

TANK TO PUMP

\*PUMP COOLER

\*ENGINE COOLER

LH PONY

#1 DRAIN

#2 DRAIN

LH PONY DRAIN

\*LRR DRAIN





MASTER DRAIN

VALVE	STANDARD SIZE
#1	2.5"
#2	2.5"
#3	3.0"
#4	2.5"
LRR	2.5"
RRR	2.5"
JUMP LINE	2.0"
XLAYS	2.0"
TANK FILL	2.0"
TANK TO PUMP	3.0"
DECK GUN	3.0"
PONY	2.5"
MASTER INTAKE	6.0"

REVISIONS						
ECN	REV.	ZONE	CHANGED FROM	BY	DATE	APVD
-	-	See Sheet1	See Sheet1	-	-	-

UNLESS OTHERWISE SPECIFIED DIMENSIONS ARE IN MILLIMETERS [INCHES ARE FOR REFERENCE, ONLY] TOLERANCE FOR MILLIMETER DIMENSIONS:  
 X: ±1  
 X.X: ±0.5  
 X.XX: ±0.25  
 X.XXX: ±0.125  
 ANGLES: ±0.25°  
 SURFACE TEXTURE IN µm Ra REMOVE ALL SHARP EDGES, 0.25MAX

COPYRIGHT ©  
 NOT TO BE REPRODUCED OR USED TO MAKE OTHER DRAWINGS OR MACHINERY

							
MATERIAL		TITLE		DRAWN		REV	
MADE FROM		Master SM Q-XS 72 X 34		JDF		D	
FINISH		APPROVED		JB		DRAWING NUMBER	
PROJECT		DATE		31MAR2015		Master SM Q-XS 72 X 34	
		SCALE		1:5		SHEET 2 OF 4	

IF IN DOUBT ASK

PROJECTION: 

SMARTFOAM2.1A

HR

LRR

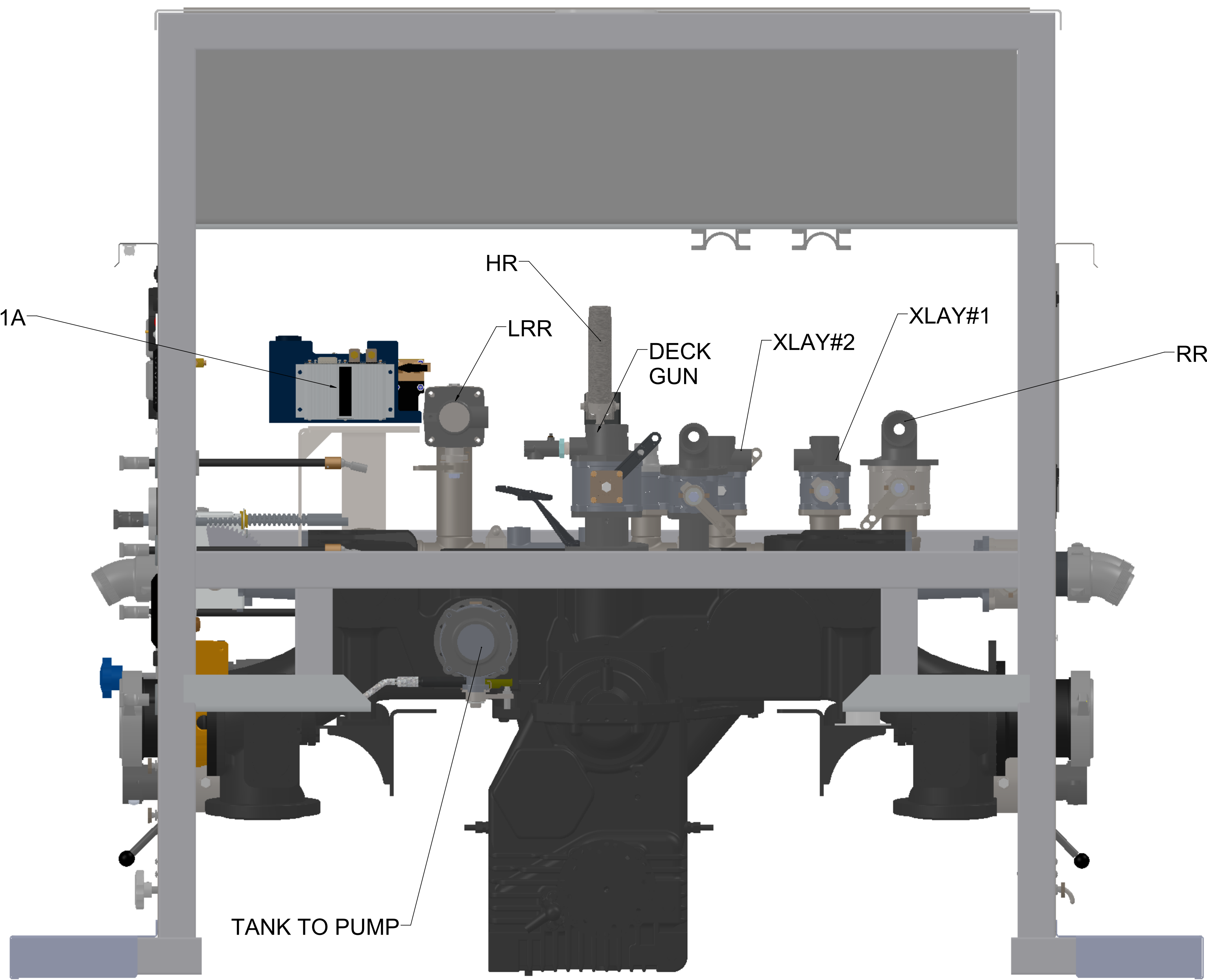
DECK GUN

XLAY#2

XLAY#1

RRR

TANK TO PUMP



REVISIONS						
ECN	REV.	ZONE	CHANGED FROM	BY	DATE	APVD
-	-	See Sheet1	See Sheet1	-	-	-

UNLESS OTHERWISE SPECIFIED  
DIMENSIONS ARE IN MILLIMETERS  
[INCHES ARE FOR REFERENCE, ONLY]  
TOLERANCE FOR MILLIMETER DIMENSIONS:  
X: ±1  
X.X: ±0.5  
X.XX: ±0.25  
X.XXX: ±0.125  
ANGLES: ±0.25°  
SURFACE TEXTURE IN µm Ra  
REMOVE ALL SHARP EDGES, 0.25MAX

FSG OF  
**DEX**  
IDEX CORPORATION

**HALE** **GODIVA** *Class 1*

Master SM Q-XS 72 X 34

COPYRIGHT ©  
NOT TO BE REPRODUCED OR USED TO  
MAKE OTHER DRAWINGS OR MACHINERY

PROJECT

DRAWN JDF  
APPROVED JB  
DATE 31MAR2015

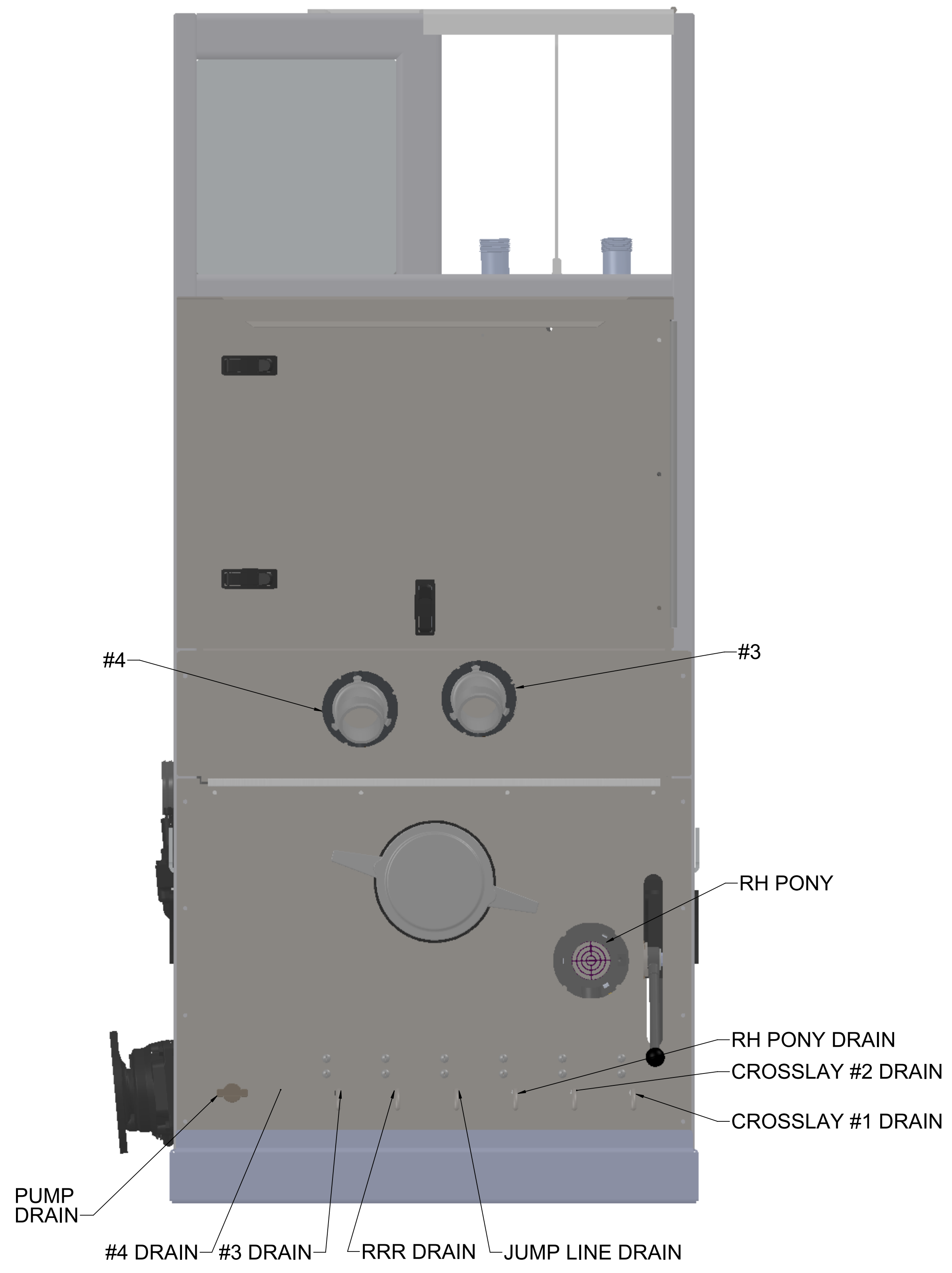
SIZE **D**  
SCALE 1:5  
DRAWING NUMBER  
Master SM Q-XS 72 X 34





REV **B**  
SHEET 3 OF 4



IF IN DOUBT ASK

PROJECTION: 



UNLESS OTHERWISE SPECIFIED DIMENSIONS ARE IN MILLIMETERS [INCHES ARE FOR REFERENCE, ONLY] TOLERANCE FOR MILLIMETER DIMENSIONS: X: ±1 X.X: ±0.5 X.XX: ±0.25 X.XXX: ±0.125 ANGLES: ±0.25° SURFACE TEXTURE IN µm Ra REMOVE ALL SHARP EDGES, 0.25MAX				  	
MATERIAL		TITLE <b>Master SM Q-XS 72 X 34</b>			
MADE FROM		DRAWN JDF		SIZE <b>D</b>	
FINISH		APPROVED JB		DRAWING NUMBER <b>Master SM Q-XS 72 X 34</b>	
PROJECT		DATE 31MAR2015		SCALE 1:5	
COPYRIGHT © NOT TO BE REPRODUCED OR USED TO MAKE OTHER DRAWINGS OR MACHINERY					
REV		SHEET		4 OF 4	

REVISIONS						
ECN	REV.	ZONE	CHANGED FROM	BY	DATE	APVD
-	-	See Sheet1	See Sheet1	-	-	-